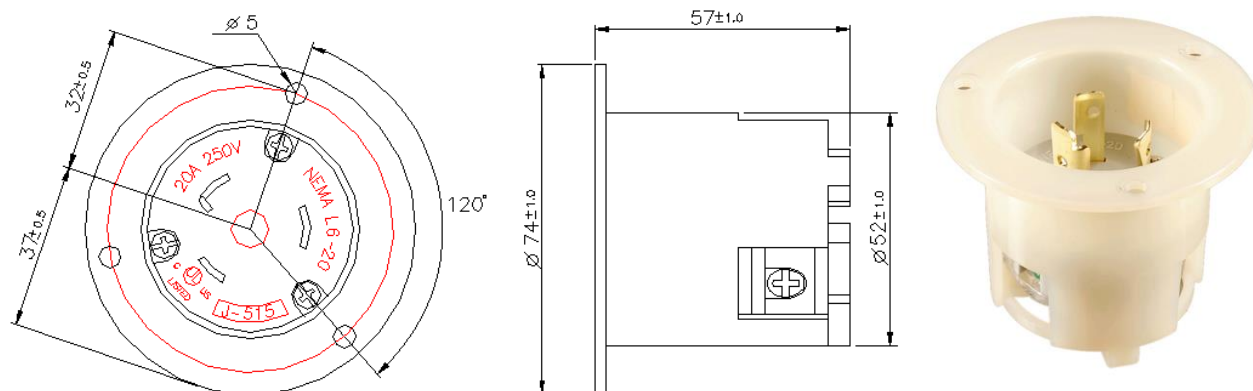


J-515



Product Specifications

| | |
|------------------------------|--|
| Product Item | Flanged Inlet |
| Electrical Rating | 2 Pole, 3 Wire Grounding 20A 250V AC |
| Configuration | NEMA L6-20 |
| Housing Material | Natural Nylon |
| Blade Holder Material | Polycarbonate - Gray |
| Terminal Retainer Material | Clear Polycarbonate |
| Blade Material | Brass |
| Terminal Screw Material | #8-32 solid brass |
| Ground Screw Material | #8-32 solid brass (Green) |
| Flammability | UL 94 V-0 |
| Operating Temperatures | Maximum Continuous 65 °C, Minimum -20 °C (w/o impact) |
| Standards and Certifications | UL/cUL Listed to UL498 File E237606 |
| RoHS Compliant | Yes |