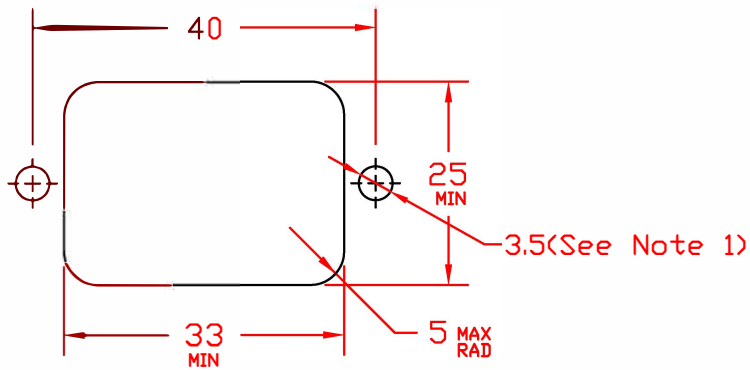


Panel cut out



Note 1: Recommended diameter for thru-hole (screw/nut combination) hardware mounting method. Other methods will require holes with different dimensions and parameters.

THIS DOCUMENT AND ITS CONTENTS ARE THE PROPRIETARY CONFIDENTIAL PROPERTY OF INTERPOWER CORPORATION. NO USE OR COPIES MAY BE MADE WITHOUT WRITTEN PERMISSION FROM INTERPOWER CORPORATION.

DIMENSIONS IN MILLIMETERS

TITLE Outlet

DRAFT BY: JC DATE: 3-11-2002

DRAFTING APPROVAL: JC DATE: 3-11-2002

PART NUMBER: 83011220

MATERIAL:

DD NOT SCALE

A Added dimensions to screw holes and added Note 1. DDF

9/30/11

REV CHANGE DESCRIPTION

DATE

SHEET 1 OF 1