

Open Frame Type Switching Power Supply

**65Watts Medical and ITE
Single Output**

FEATURES

- Both ITE & Medical Approvals.
- Medical Body Floating (BF) rated, Class I Power Supply
- Medical applications Protection: Means of patient protection (MOPP)
- Altitude during operation: ITE up to 5000m ,Medical Below 3000m.
- Less than 75mW no-load power consumption
- Low leakage current
- 3 year warranty

ELECTRICAL SPECIFICATIONS

- Input range : 90 - 264VAC
- Frequency : 47 - 63Hz
- Inrush current : < 45A peak @115VAC; < 90A peak @230VAC cold start @25°C
- Input current (rms) : 2A @115VAC; 1A @230VAC max.
- Efficiency : > 87% typical @full load, 115VAC (5V series excluded)
- Touch current < 100uA @264VAC
- Maximum output power (Po) : 65 Watts convection cooling
- Hold-up time : > 10ms typical @full load, 115VAC
- Short circuit protection : Auto-recovery
- Over load protection : 110% to 180% maximum rating, Auto-recovery
- Over voltage protection : Latching type. AC Recycle

ENVIRONMENTAL

- Operating temperature : -20 to +70°C (Derate linearly 2.5% per °C from 51 to 70°C, Derate linearly 1.0% per °C from 0 to -20°C)
- Storage temperature: -20°C to +85°C
- Humidity: Non-condensing 10% to 90%
- MTBF : > 150,000 hours @full load and 25°C ambient temperature

DC OUTPUT & FEATURES

Model No.	Output Voltage	Minimum Load	Maximum Load	Po	Average efficiency	Output Regulation	Ripple & Noise (Vp-p)	
							Full Load	< 30% Load
PW-IM040B2-1Y050Z	+5V	0A	8.00A	40W	> 86%	±5%	100mV	200mV
PW-IM065B2-1Y120Z	+12V	0A	5.42A	65W	> 89%	±3%	120mV	200mV
PW-IM065B2-1Y150Z	+15V	0A	4.34A	65W	> 89%	±3%	120mV	300mV
PW-IM065B2-1Y190Z	+19V	0A	3.43A	65W	> 89%	±3%	120mV	300mV
PW-IM065B2-1Y240Z	+24V	0A	2.71A	65W	> 89%	±3%	200mV	300mV
PW-IM065B2-1Y280Z	+28V	0A	2.33A	65W	> 89%	±3%	200mV	350mV
PW-IM065B2-1Y480Z	+48V	0A	1.36A	65W	> 89%	±2%	200mV	480mV
PW-IM065B2-1Y540Z	+54V	0A	1.21A	65W	> 89%	±2%	200mV	480mV

Note:

1. In/Output connector options: Z=J (JST VH Type Connector or Equ.), Z=M (Molex 5277 Type Connector or Equ.)
1. Ripple and noise are measured at oscilloscope 20MHz bandwidth by a 10uF electrolytic capacitor and a 0.1uF ceramic capacitor in parallel at output connector.
2. The ripple and noise will be higher while load under 30% of rate load during Burst Mode operation.
The Burst Mode operation is to meet the latest efficiency regulations.
3. The output voltage is set by manufacturer.



RoHS compliant

Dimension : L101.6 x W50.8 x H27.5 mm (4" x 2" x 1.08")
Weight : 0.136 kgs. (0.30 lbs.)

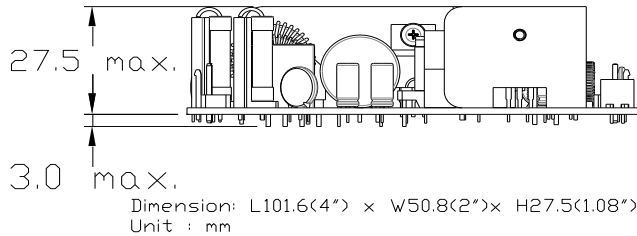
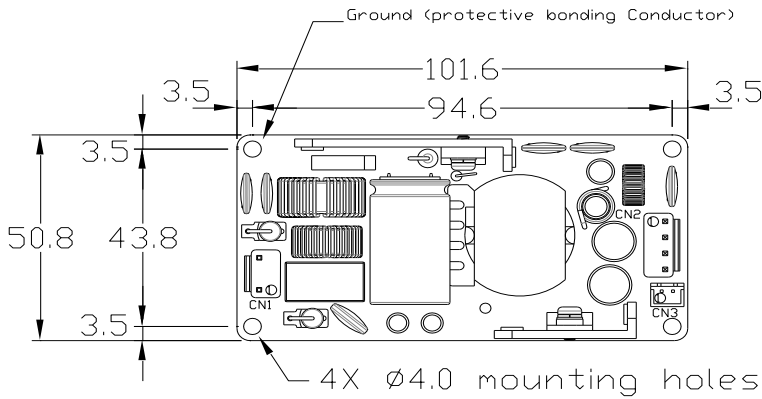
SAFETY STANDARDS

- UL60601-1 3rd Edition
- UL/c-UL UL60950-1
- EN60601-1 3rd Edition
- TUV EN60950-1
- IEC EN60601-1 3rd Edition
- CB IEC 60950-1

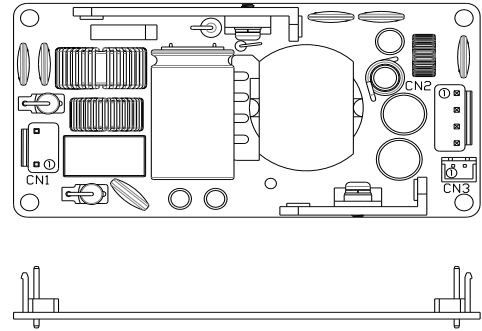
EMC STANDARDS

- EN60601-1-2
- EN55024
- EN 55011 Class B
- EN55032 Class B
- FCC Part 15 Class B
- FCC Part 18 Class B
- CE

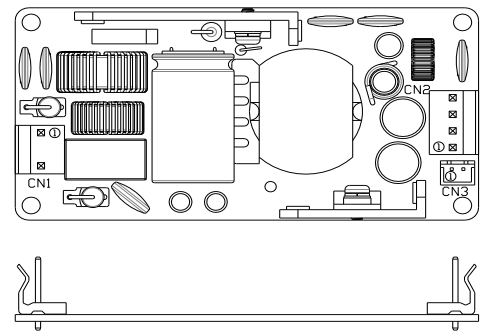
MECHANICAL SPECIFICATION



In/Output connector options: Z=J (JST)



In/Output connector options: Z=M (Molex)



MATCHING CONNECTORS

CN1: Input Connector

JST B3P-VH-B pitch: 3.96mm or equivalent, mates with JST VHR-3N or equivalent

Pin #	Signal
1	AC Neutral
2	AC Line

MOLEX 5277 09-65-2029 or equivalent mates with MOLEX 5265 09-76-1020 or equivalent

Pin #	Signal
1	AC Line
2	AC Neutral

CN2: Main Output Connector

JST B4P-VH-B pitch: 3.96mm or equivalent, mates with JST VHR-4N or equivalent

Pin #	Signal
1	GND
2	GND
3	+Vo
4	+Vo

MOLEX 5277 09-65-2048 or equivalent mates with MOLEX 5239 09-52-4044 or equivalent

Pin #	Signal
1	+Vo
2	+Vo
3	GND
4	GND

CN3: Remote Sense Connector

JST B2B-XH-A pitch: 2.5mm or equivalent, mates with JST XHP-2 or equivalent

Pin #	Signal
1	+Vo Sense +
2	+Vo Sense -