

AC/DC Switching Adapter - Single Output

FEATURES

- Medical 60601-1 3.1rd Edition approved
- Equiped with interchangeable AC clips for worldwid applications
- Power ON LED indicator
- Fully meet CEC, ERP,EISA, and Energy Star level V requirements.
- Meet UL 1310 NEC Class 2 requirement.
- Output Voltage : +5V to +48V
- No load Power consumption < 300mW
- 2 year warranty



ELECTRICAL SPECIFICATIONS

- Input range : 90 - 264VAC
- Frequency : 47 - 63Hz
- Inrush current : < 30A peak @115VAC; < 60A peak @230VAC cold start @25°C
- Input current (rms) : 0.7A @90VAC; 0.35A @264VAC max.
- Maximum output power (Po) : 24Watts
- Hold-up time : > 10ms typical @full load, 115VAC
- Short Circuit Protection: Auto-recovery.
- Over Load Protection: Auto-recovery.
- Over Voltage Protection: Shutdown and latch off, AC recycle

RoHS Compliant

Dimension : L79.5 × W50.0 × H72.1 mm (3.13" × 1.97" × 2.84")
Weight : 0.16 kgs. max. (0.35 lbs.)

SAFETY STANDARDS

UL60601-1 3.1rd Edition
CSA-C22.2 No.60601-1 3.1rd Ed.
EN60601-1 3.1rd Edition
IEC EN60601-1 3.1rd Edition

EMI STANDARDS

EN60601-1-2 Ed4:2015
IEC60601-1-2 Ed4:2014
EN55011 Class B
FCC Part 18 Class B
CE

ENVIRONMENTAL

- Operating temperature : -20 to +60°C (Derate linearly 2.5% per °C from 41 to 60°C)
- Storage temperature : -20°C to +85°C
- Humidity: 20% ~ 90%.
- MTBF : >150,000 hours at full load and 25°C ambient temperature

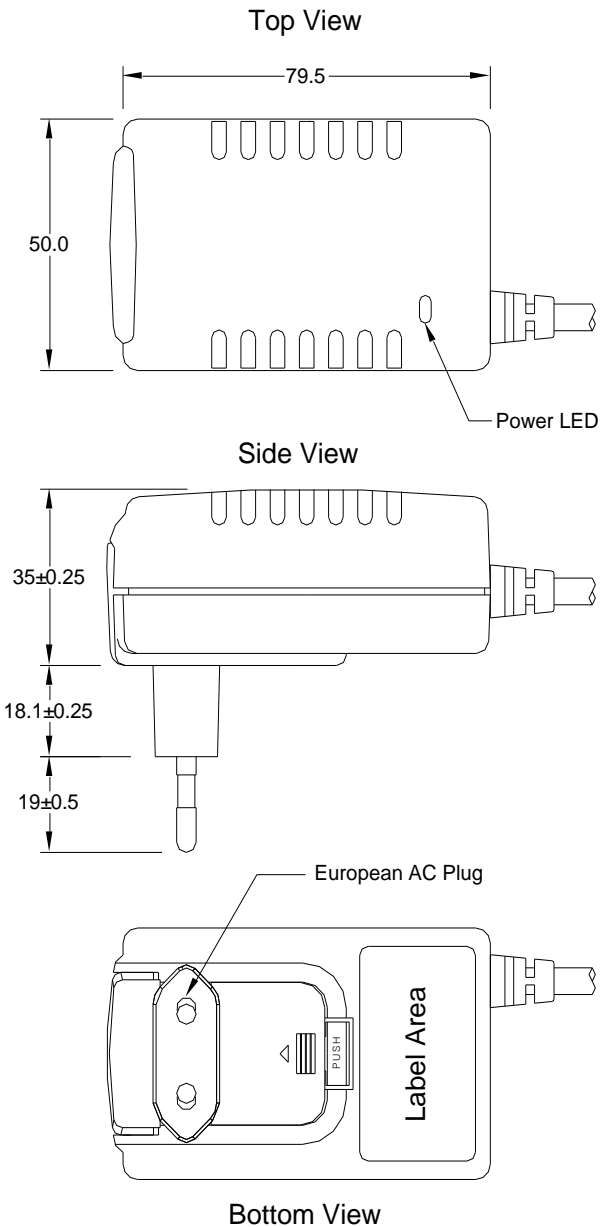
DC OUTPUT & FEATURES

Model	Output Rating		Po	O/P Regulation	Ripple & Noise(Vp-p)	DOE Efficiency
PW-M015A-1Y050KZ	5V	3.00A	15W	+5% / -3%	50mV	V
PW-M024A-1Y090KZ	9V	2.67A	24W	+5% / -3%	90mV	V
PW-M024A-1Y120KZ	12V	2.00A	24W	+5% / -3%	120mV	V
PW-M024A-1Y160KZ	16V	1.50A	24W	+5% / -3%	160mV	V
PW-M024A-1Y180KZ	18V	1.34A	24W	+5% / -3%	180mV	V
PW-M024A-1Y240KZ	24V	1.00A	24W	+5% / -3%	240mV	V
PW-M024A-1Y360KZ	36V	0.67A	24W	+5% / -3%	360mV	V
PW-M024A-1Y480KZ	48V	0.50A	24W	+5% / -3%	480mV	V

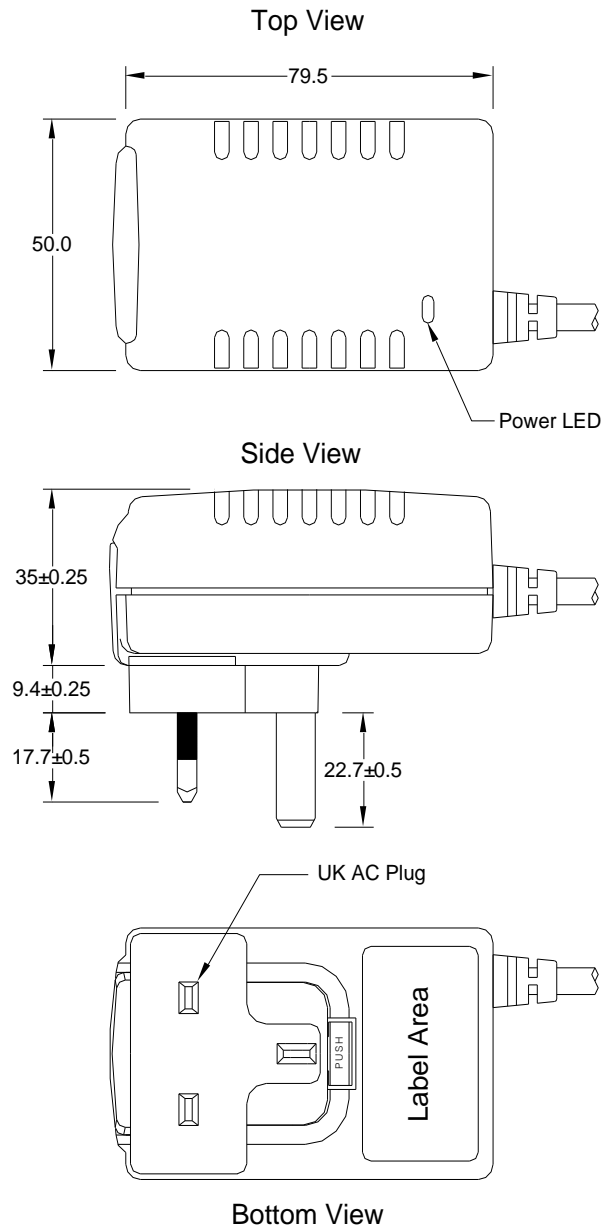
- Note:**
1. Ripple and noise are measured at oscilloscope 20MHz bandwidth by a 10uF electrolytic capacitor and a 0.1uF ceramic capacitor in parallel at output connector.
 2. Z=U : American Type ; Z=E : European Type ; Z=A : Australia Type ; Z=K : UK Type

MECHANICAL SPECIFICATION

European Type



UK Type

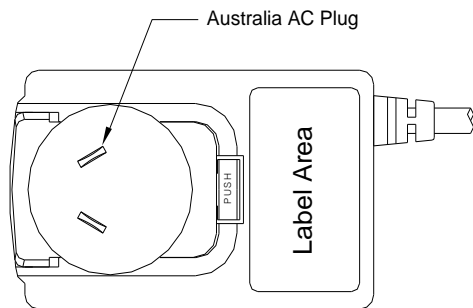
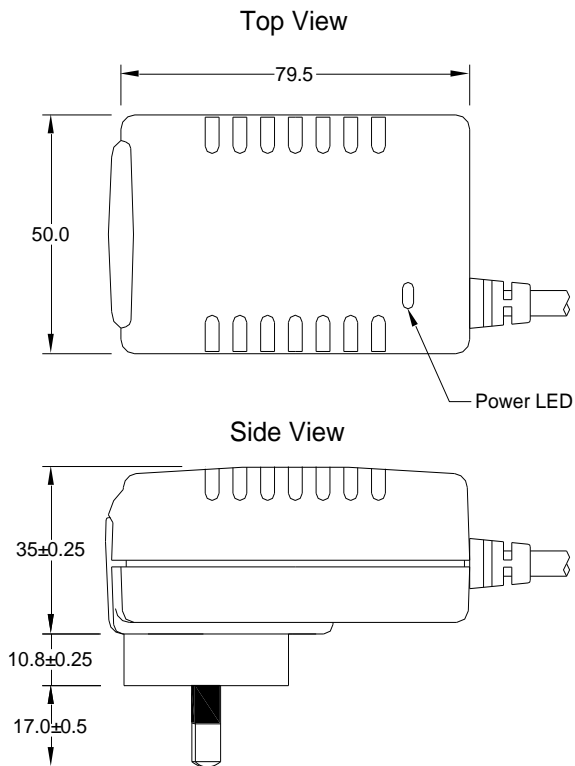


Note:

1. AC Inlet : IEC320-C8
2. Plastic Case Color : Black
3. Tolerance : ± 0.5mm
4. Unit : mm

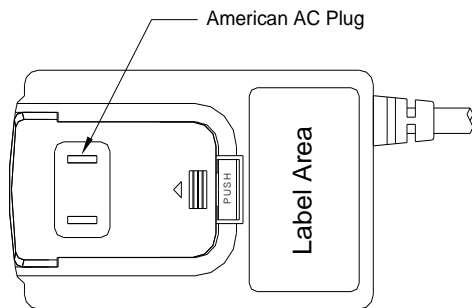
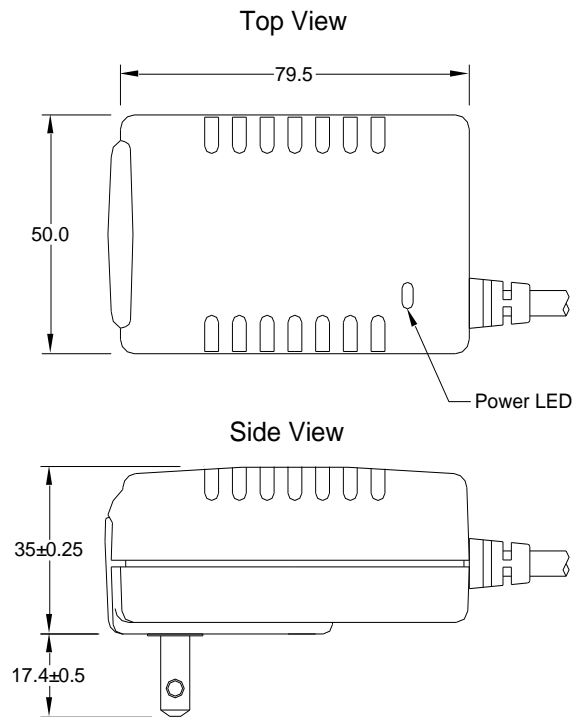
MECHANICAL SPECIFICATION

Australia Type



Bottom View

American Type



Bottom View

- Note:
1. AC Inlet : IEC320-C8
 2. Plastic Case Color : Black
 3. Tolerance : ± 0.5mm
 4. Unit : mm

STANDARD OUTPUT CABLE

1. AWM 1185 # 18 AWG / 1C + SHIELDING, UL 80°C 300V VW-1, 1550 mm.
2. Depends on customers requirements.