

FEATURES

- ITE & Medical Dual Safety Approvals
- 2-Pole AC inlet IEC320-C8 Class II
- 2 MOPP ; Suitable for BF application
- Altitude : ITE / Medical up to 5000m.
- Rectangular plastic case with IP41 level
- No load Power consumption < 150mW
- Meet DOE level VI and EU tier 2 Efficiency requirements
- 3 years warranty



ELECTRICAL SPECIFICATIONS

- Input range : 90 - 264VAC ; 47 - 63Hz
- Power Factor : > 0.95 @115VAC; > 0.90 @230VAC @full load
- Inrush current : < 50A peak @115VAC
< 120A peak @230VAC cold start @25°C
- Input current (rms) : 2A @90VAC; 1.25A @264VAC max.
- Efficiency : > 89% @average load, 115/230VAC
- Hold-up time : > 10ms typical @full load, 115VAC
- Short Circuit Protection: Auto-recovery
- Over Load Protection: Auto-recovery
- Over Voltage Protection: latch off

RoHS Compliant

Dimension : L140 x W63 x H33 mm (5.5" x 2.48" x 1.29")
Weight : 0.78 kgs. (1.72 lbs.)

SAFETY STANDARDS

UL/c-UL 60601-1 3.1st Edition
TUV EN60601-1 3.1st Edition
CB IEC60601-1 3.1st Edition
UL/c-UL UL60950-1
TUV EN60950-1
CB IEC 60950-1
SGS IEC/EN 60601-1-11 2nd Ed.

EMC STANDARDS

EN60601-1-2 Ed4:2015
IEC60601-1-2 Ed4:2014
EN 55011 Class B
EN55032 Class B
EN55024 Class B
FCC Part 15 Class B
FCC Part 18 Class B
CE

ENVIRONMENTAL

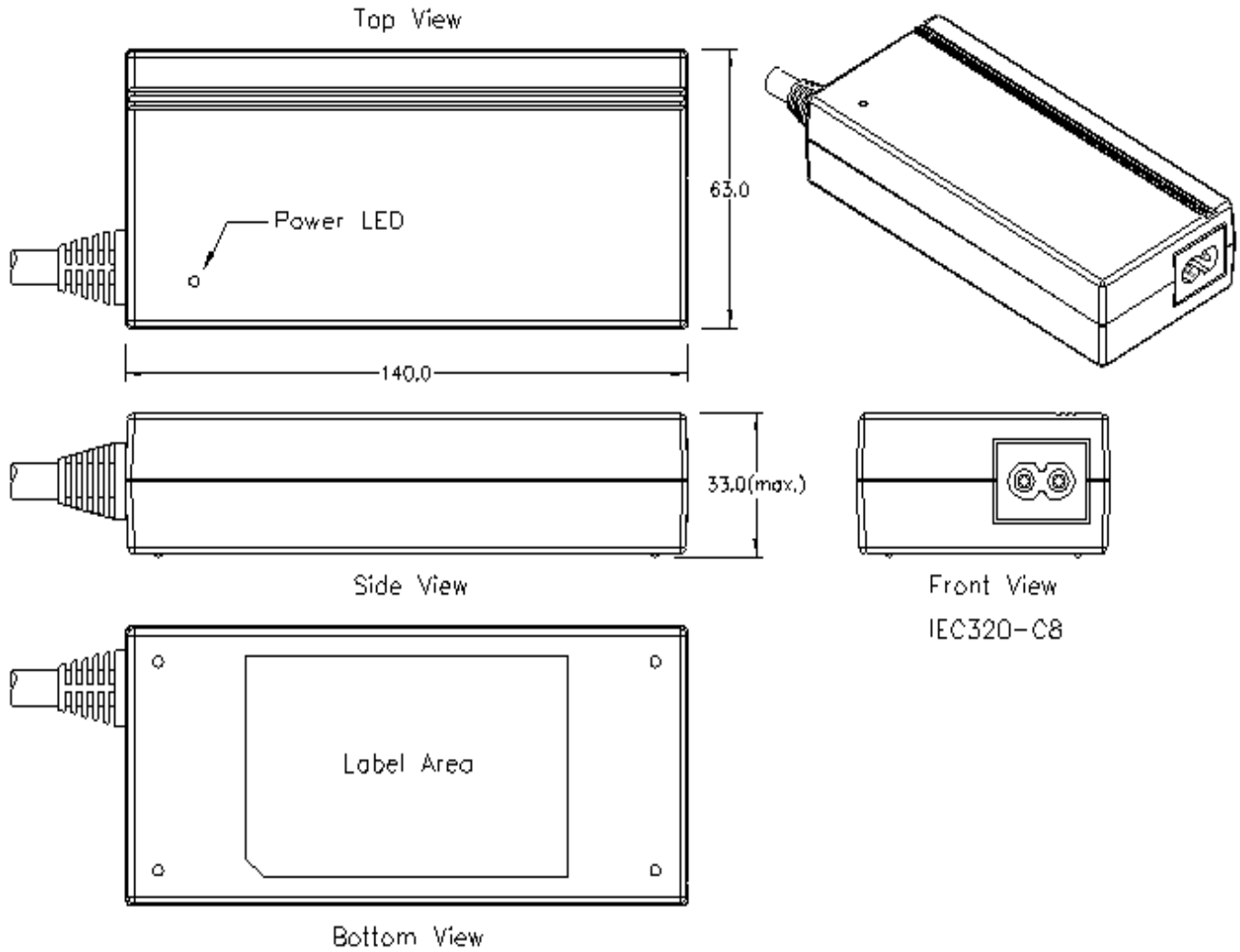
- Operating temperature : -20 to +60°C (Derate linearly 2.5% per °C from 41 to 60°C)
- Storage temperature : -20°C to +85°C
- Humidity: 0% ~ 95%
- MTBF :140,000 hours min. at full load and 25°C ambient temperature(Base on MIL-HDBK-217F)

DC OUTPUT & FEATURES

Model	Output Rating		Po	O/P Regulation	Ripple & Noise (Vp-p)	DOE Efficiency	EU ErP
PW-IM105A-1Y120N	12V	8.75A	105W	+/- 5%	150mV	VI	Tier 2
PW-IM110A-1Y150N	15V	7.34A	110W	+/- 5%	150mV	VI	Tier 2
PW-IM110A-1Y190N	19V	5.79A	110W	+/- 5%	150mV	VI	Tier 2
PW-IM110A-1Y240N	24V	4.59A	110W	+/- 3%	150mV	VI	Tier 2
PW-IM110A-1Y280N	28V	3.93A	110W	+/- 3%	150mV	VI	Tier 2
PW-IM110A-1Y360N	36V	3.06A	110W	+/- 3%	150mV	VI	Tier 2
PW-IM110A-1Y480N	48V	2.29A	110W	+/- 3%	150mV	VI	Tier 2

Note: 1. Ripple and noise are measured at oscilloscope 20MHz bandwidth by a 47uF electrolytic capacitor and a 0.1uF ceramic capacitor in parallel at output connector.

MECHANICAL SPECIFICATION



- Note:
1. AC Inlet : IEC320-C8
 2. Power ON LED
 3. Plastic Case Color : Black
 4. Tolerance : $\pm 0.5\text{mm}$
 5. Unit : mm

STANDARD OUTPUT CABLE

1. AWM 1185#16AWG 1C+SHIELDING, UL 80°C 300V VW-1, 1000mm.
2. AWM 1571#14 1C+SHIELDING, UL 80°C 30V VW-1, 1000mm.
3. Depends on customers requirements.