

**FEATURES**

- ITE & Medical Approvals ( Class I )
- 3-prong IEC320-C14, Class I (I/O Switch Option)
- Medical safety approved ( 2x MOPP between primary to secondary )  
Suitable for BF application with appropriate system consideration.
- Altitude during operation: ITE/Medical up to 5000m.
- $\leq 0.15W$  No Load Input Power
- Touch current less than 100uA
- Meet IEC60601-1-2 Ed4:2014
- 3 year warranty



**ELECTRICAL SPECIFICATIONS**

- Input range : 90 - 264VAC
- Frequency : 47 - 63Hz
- Power Factor : > 0.95 @115VAC; > 0.90 @230VAC @full load
- Inrush current : < 80A peak @115VAC; < 80A peak @230VAC cold start @25°C
- Input current (rms) : 2.5A @115VAC; 1.3A @230VAC max.
- Efficiency : > 89% (Average) 25 %, 50 %, 75 % and 100 % of full load @ 115/230VAC
- Touch current < 100uA @264VAC
- Maximum output power (Po) : 250 Watts convection cooling
- Hold-up time : > 10ms typical @full load, 115VAC
- Short circuit protection : Auto-recovery
- Over load protection : 105% to 160% maximum power, Auto-recovery
- Over voltage protection : Auto-recovery

**RoHS compliant**

Dimension : L 200xW 90xH45 mm ( 7.874"x3.543"x1.77" )

Weight : 1.3 kgs. ( 2.87 lbs. )

**ENVIRONMENTAL**

- Operating temperature : -20 to +60°C (Refer to "Derating Curve")
- Cooling: Convection-cooling
- Storage temperature: -20°C to +85°C
- Humidity: Non-condensing 0% to 95%
- MTBF : > 200,000 hours @full load and 25°C ambient temperature based on Bellcore TR-332

**SAFETY STANDARDS**

UL/cUL 60601-1 3.1<sup>st</sup> Edition  
TUV EN60601-1 3.1<sup>st</sup> Edition  
CB IEC60601-1 3.1<sup>st</sup> Edition  
UL/cUL UL60950-1  
TUV EN60950-1  
CB IEC 60950-1

**EMC STANDARDS**

EN60601-1-2 Ed4:2015  
IEC60601-1-2 Ed4:2014  
EN 55011 Class B  
EN55032 Class B  
EN55024 Class B  
FCC Part 15 Class B  
FCC Part 18 Class B  
CE

**DC OUTPUT & FEATURES**

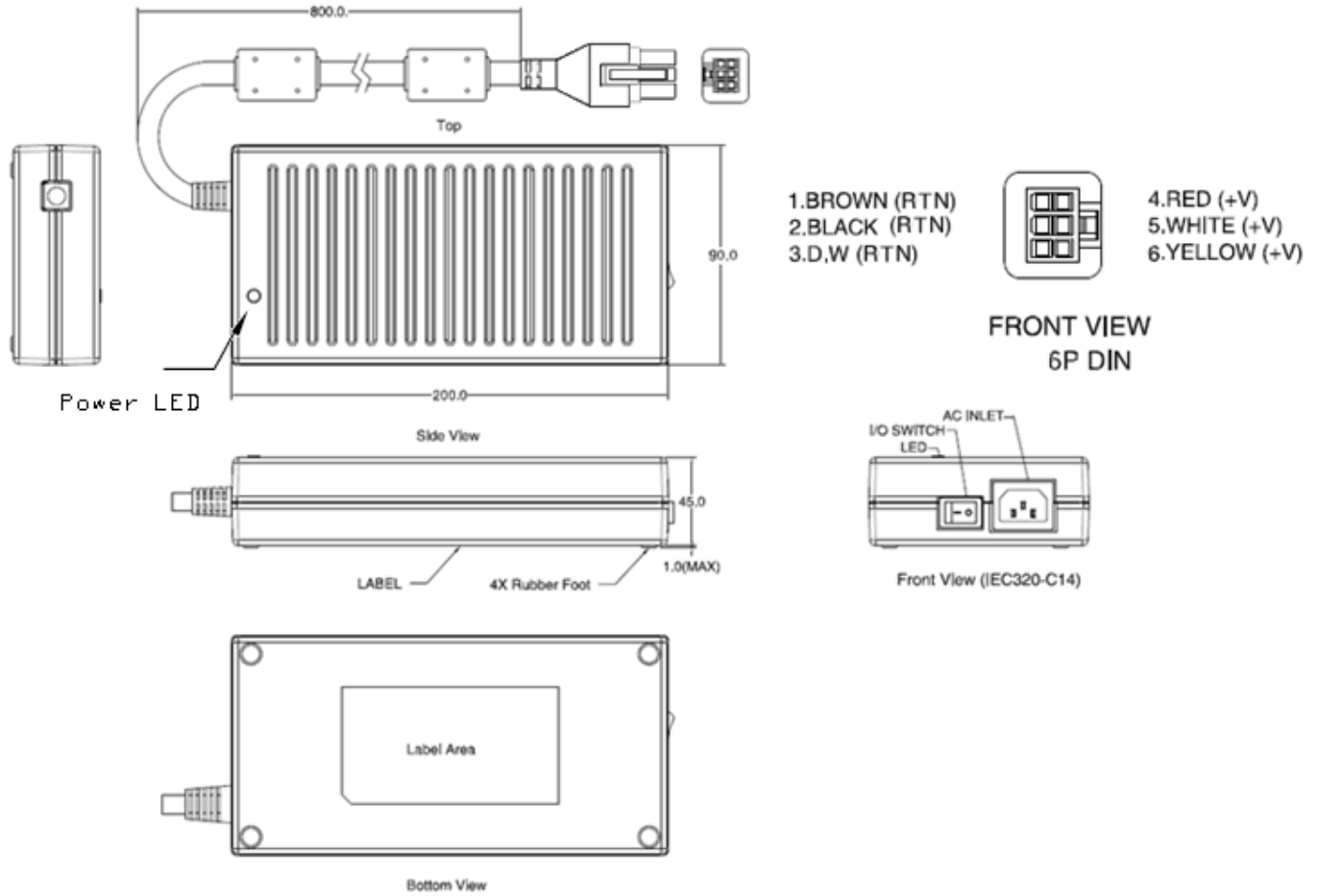
Model No.	Output Rating		Po	Output Regulation	Ripple & Noise (Vp-p)	DOE Efficiency	EU ErP
PW-250A-1Y120P1MZ	+12V	20.83A	250W	±5%	240mV	VI	Tier 2
PW-250A-1Y190P1MZ	+19V	13.157A	250W	±5%	300mV	VI	Tier 2
PW-250A-1Y240P1MZ	+24V	10.416A	250W	±5%	300mV	VI	Tier 2
PW-250A-1Y280P1MZ	+28V	8.928A	250W	±5%	300mV	VI	Tier 2
PW-250A-1Y360P1MZ	+36V	6.94A	250W	±5%	300mV	VI	Tier 2
PW-250A-1Y480P1MZ	+48V	5.208A	250W	±5%	300mV	VI	Tier 2
PW-250A-1Y540P1MZ	+54V	4.629A	250W	±5%	300mV	VI	Tier 2

**Note:**

1. Ripple and noise are measured at oscilloscope 20MHz bandwidth by a 47uF electrolytic capacitor and a 0.1uF ceramic capacitor in parallel at output connector.
2. AC INLET : IEC 320-C14(3PIN)
3. Z = S to denote With I/O Switch, Z = X to denote Without I/O Switch.

**MECHANICAL SPECIFICATION**

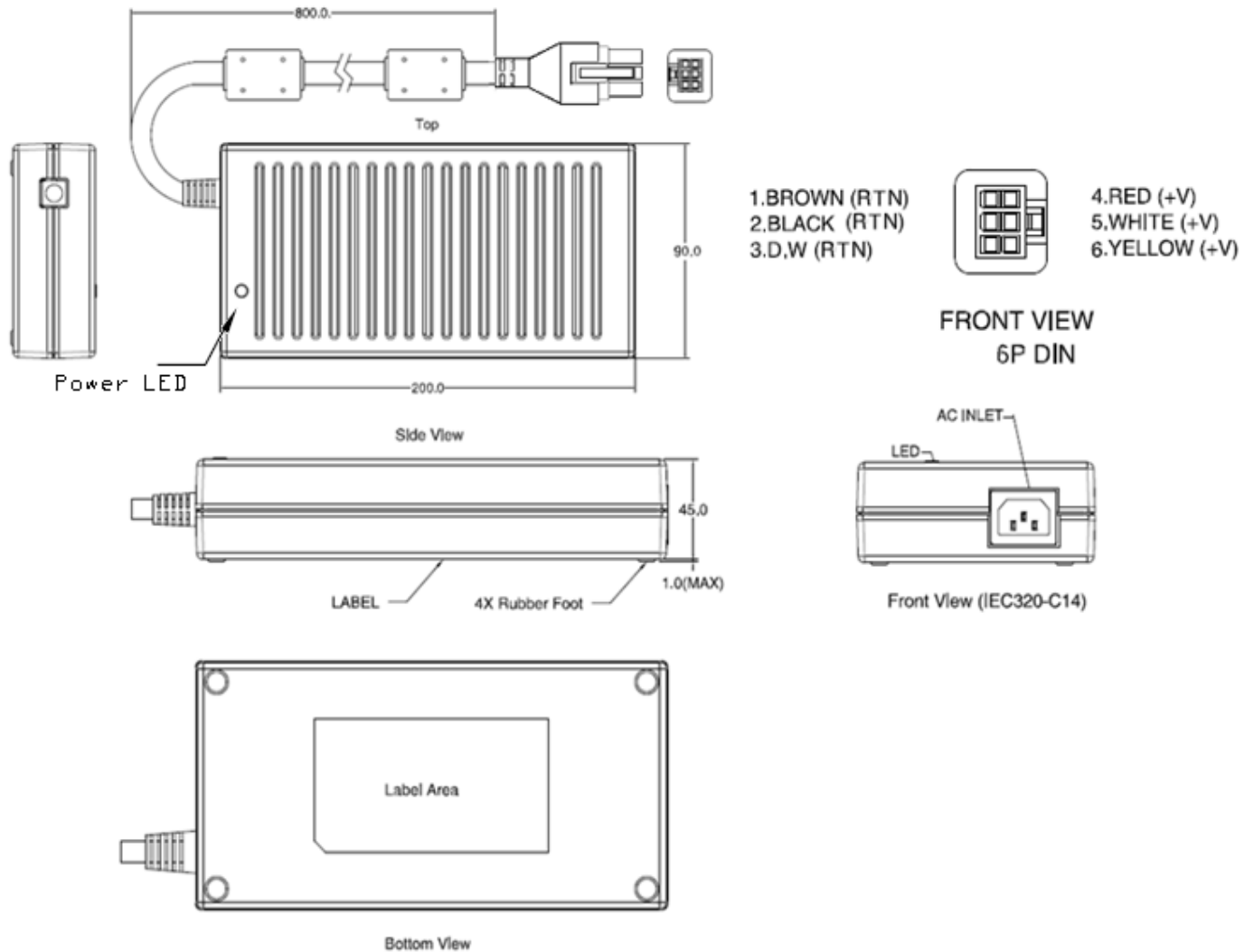
Model No. : PW-250A-1YXXXP1MS  
With "S" With I/O Switch



Dimension : **L200xW90xH45mm (7.874"x3.543"x1.77")**  
NOTE : TOLERANCE: **±/-1mm(0.04") (LxWxH)**

**MECHANICAL SPECIFICATION**

Model No. : PW-250A-1YXXXP1MX  
With "X" Without I/O Switch



Dimension: **L200xW90xH45mm (7.874"x3.543"x1.77")**  
NOTE: TOLERANCE: **±/-1mm(0.04") (LxWxH)**

**MATCHING CONNECTORS**

**DC Output Connector**

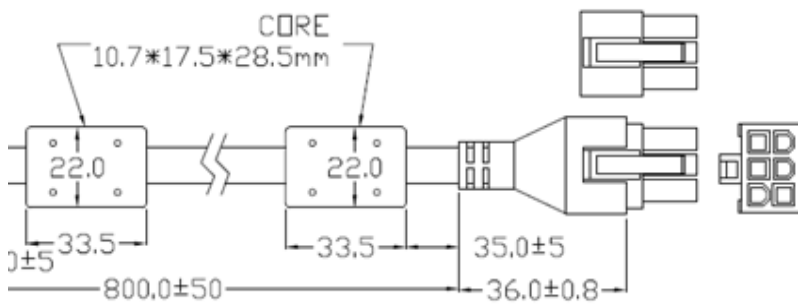
Standard male plug(power supply side): 6 PIN Mini Fit Pitch:4.2mm

Mating Connector : Molex P/N: 39-28-1063 or equivalent.

DC output cable: 5C+1, UL2464, 16AWG, VW-1, 80°C, 300V

- |                    |   |               |
|--------------------|---|---------------|
| 1.BLUE (RTN)       |  | 4.RED (+V)    |
| 2.BLACK (RTN)      |   | 5.WHITE (+V)  |
| 3.Drain Wire (RTN) |   | 6.YELLOW (+V) |

6P HOUSING  
FRONT VIEW



**Derating Curve**

