

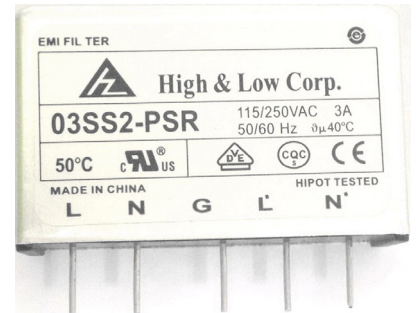


New Product Launch

SS2 series PCB Filter

Feature

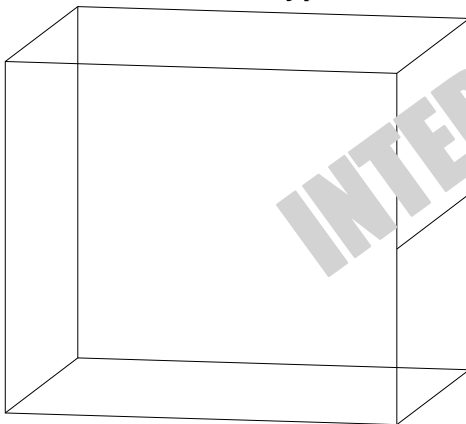
- Very compact PCB-mountable design.
- Good conducted attenuation performance.
- Easy to install.
- Combine different EMI solution for your application.
- More options of components value to different applications.
- Fully safety approvals



Customer Applications

Monitoring system.

3D Prototype



[click to rotate](#)

Technical data and measuring conditions

Rated Current: 1-10A @ 50°C Rated Voltage: 115/250VAC
Operating Frequency: 50/60Hz Operating temp. : -25° + 85°C

Hipot Rating (for 1 min.)
Line to Line: 1450 VDC
Line to Ground: 2250 VDC

Leakage Current (each line to ground)
@ 115VAC 60Hz: 0.3mA Max. / ..
@ 250VAC 50Hz: 0.6mA Max. / ..

Climatic Category: HMF 25/110/21 Case: Aluminium
Safety Requirement According: IEC/EN60939

INTERNAL DOCUMENT



New Product Launch

SS2 series PCB Filter

Ordering information

1 SS2 2 - P 3 4

1 Current rating - 01,02,03,06,08,10A

01=1A, 02=2A, 03=3A, 06=6A, 08=8A, 10=10A

2 Electrical schematic - see Fig-1

(empty);Standard;A;B;C;D

3 Components table - see Fig. 2

4 Bleeder resistor (options)

R ; R=1M ohm; 1/4W min.

Fig-1 Electrical schematic

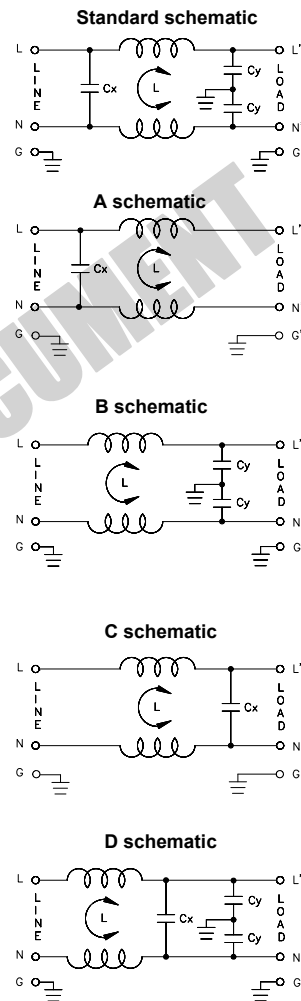


Fig-2 Components table

CODE	Components		Inductance L = mH x 2 in Amps					
	Cx(μF)	Cy(pF)	1A	2A	3A	6A	8A	10A
S	0.1	2200	6.5	3.8	2.5	0.8	1.05	0.2
A	0.015	3300	1.9	1.5	1.1	0.6	-	0.3
B	0.1	3300	3.7	2.7	1.8	0.8	1.05	0.3
C	0.1	1000	10.5	4.2	2.5	1.05	-	0.3
D	0.047	3300	4.6	3.4	2.5	0.9	-	0.3
E	0.033	3300	9.5	4.3	1.8	0.85	-	0.3
H	0.22	2200	6.5	4	2.5	0.8	1.05	0.3
I	0.22	3300	6.5	4	2.5	0.8	1.05	0.3
M	0.047	2200	10.5	4	1.2	0.53	-	0.3
N	0.033	2200	5	3.7	1.8	0.6	-	0.2
Z	-	-	10.5	6.5	2.5	1.05	-	0.3

Mechanical dimension

