



# New Product Launch

## Single Phase Filter

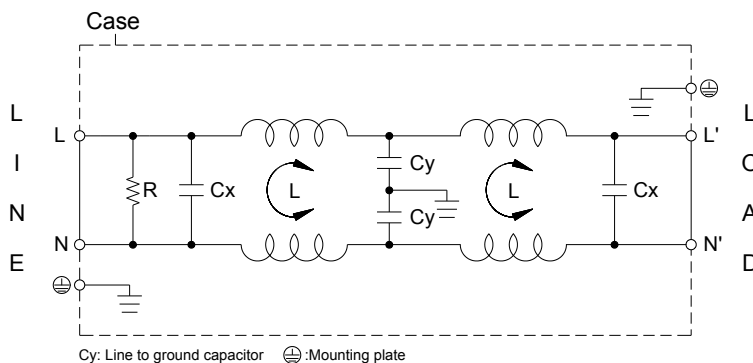
Excellent attenuation of common-mode noise

### Features

- Single phase power line filter
- 2-stage filter suitable for heavily noisy environment
- Excellent attenuation of common-mode noise
- Current rating 1~20A
- Leakage current values 50 $\mu$ A~1mA (max.)
- Touch-safe connections with hinged safety covers
- Integrated nut is in hinged cover for quick, reliable ring lug wiring
- Light weight plastic housing design
- Design with environmentally friendly compound



### Electrical schematic



### Special features:

- ※ CNBC series: best frequency bands from 150kHz~1MHz.
- ※ CNBM series: with very low leakage current; withstand voltage 4,000VAC.

### Technical data and measuring conditions

No.	CNBC series Filter PRJ No.	01CNBC472	03CNBC472	06CNBC472	10CNBC472	15CNBC472	20CNBC472	
	CNBM series Filter PRJ No.	01CNBM471	03CNBM471	06CNBM471	10CNBM471	15CNBM471	20CNBM471	
1	Rated voltage	AC 1 $\phi$ 250V / DC250V						
2	Rated current	1A	3A	6A	10A	15A	20A	
3	Test voltage (Terminal-mounting plate)	CNBC series: 2,500 VAC; CNBM series: 4,000 VAC (Cutoff current: 20mA), 1 min. at room temperature and humidity						
4	Isolation resistance (Terminal-mounting plate)	500VDC 100M $\Omega$ min. at room temperature and humidity						
5	Leakage current	CNBC series: 1mA; CNBM series: 100 $\mu$ A @250VAC/60Hz (max.)						
6	Cy cap. value ●	0.047 ~ 0.47nF						
7	Voltage drop	1.0V max.						
8	Safety approval temp.	-25° ~ +100°						
9	Operating temperature	-40° ~ +100°						
10	Operating humidity	20 ~ 95%RH (Non condensing)						
11	Storage temp./ humidity	-40° ~ +100°; 20 ~ 95%RH (Non condensing)						
12	Vibration	10 ~ 55Hz, 19.6m/s <sup>2</sup> (2G), 3 min. period, 1 hour each X,Y,Z axis						
13	Impact	196.1m/s <sup>2</sup> (20G), 11ms, once along X,Y,Z axis						
14	Safety approvals	UL1283, CSA C22.2 No.8 (C-UL), VDE0565 Teil3-1, IEC/EN60939						

● call for alternatives.

