

# EMI Filter - IEC Inlet Filters



SS1 series P(Y) case | snap in type  
\*medical grade

## Ordering information

1 SS1 2 - P 3 4 5 - 6 (Y)

### 1 Current Rating - 01,02,03,04,06,08,10,13,15

13 ; 13A for UL, CUL approved, 10A for VDE, CQC approved  
15 ; 15A for UL, CUL approved, 10A for VDE, CQC approved

### 2 Schematic type

A,C,G,I,L,N

### 3 Components table

Refer components table

### 4 Ground choke (options)

G ; Lg=100uH  
G1 ; Lg=6uH  
G2 ; Lg=180uH

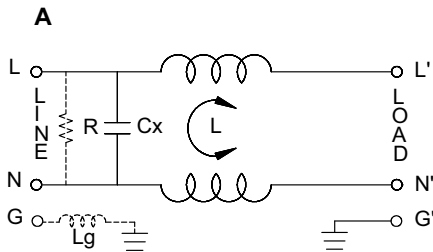
### 5 Bleeder resistor (options)

R ; R=1M ohm; 1/4W min.

### 6 Output terminal type

Q ; fast-on(6.3mm)  
S ; solder(4mm)  
W ; with wire

## Schematic type



R:options Lg:options

\* please call for other's alternates

## Insertion loss table

(In 50ohm system according IEC/CISPR No.17)

| Code | Rating | Comm.Mode(L-G)in MHz |    |    |    |    |    | Diff.Mode(L-L)in MHz |    |    |    |    |    |
|------|--------|----------------------|----|----|----|----|----|----------------------|----|----|----|----|----|
|      |        | .15                  | .5 | 1  | 5  | 10 | 30 | .15                  | .5 | 1  | 5  | 10 | 30 |
| A    | 1A     | 34                   | 38 | 39 | 32 | 16 | 21 | 9                    | 26 | 37 | 62 | 51 | 11 |
|      | 2A     | 29                   | 32 | 34 | 30 | 19 | 16 | 8                    | 23 | 34 | 60 | 48 | 13 |
|      | 3A     | 28                   | 35 | 37 | 28 | 22 | 19 | 8                    | 19 | 28 | 52 | 44 | 12 |
|      | 6A     | 18                   | 22 | 24 | 27 | 25 | 18 | 8                    | 18 | 26 | 52 | 45 | 27 |
|      | 8A     | 20                   | 24 | 26 | 27 | 25 | 14 | 8                    | 19 | 26 | 58 | 47 | 20 |
|      | 10A    | 8                    | 13 | 15 | 17 | 16 | 14 | 8                    | 18 | 25 | 32 | 28 | 24 |
| 15A  | 7      | 12                   | 15 | 16 | 14 | 11 | 7  | 17                   | 24 | 41 | 32 | 23 |    |

\* please call for other's combinations

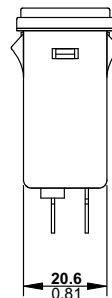
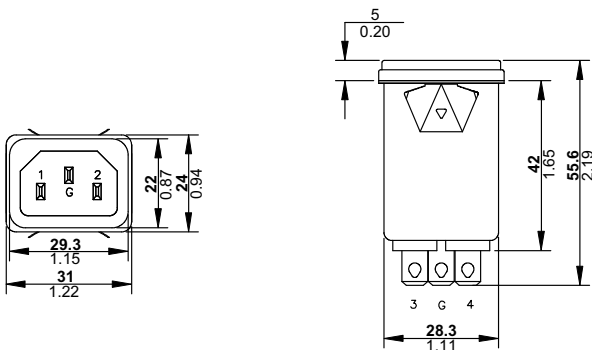
## Components table

| Code | Cx(uF) | Inductance L=mH x 2 in Amps |     |     |     |      |     |     |     |
|------|--------|-----------------------------|-----|-----|-----|------|-----|-----|-----|
|      |        | 1A                          | 2A  | 3A  | 6A  | 8A   | 10A | 15A | 20A |
| A    | 0.1    | 6.5                         | 3.8 | 2.5 | 0.8 | 1.05 | 0.2 | 0.2 | X   |

\* please call for other's combinations

## Mechanical Dimension

unit: mm  
inch



SUGGESTED PANEL CUTOUT  
(MOUNTING FROM FRONT)  
THICKNESS OF PANEL IS FROM  
0.8mm To 1.6mm

