



New Product Launch

SS3 series Power entry modules with line filter with waterproof appliance inlet of IP54

■ Feature

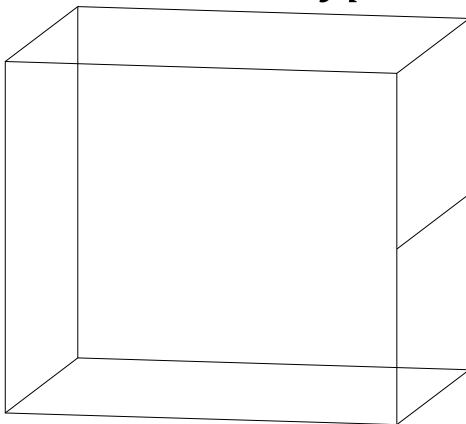
Compact version of EMI/RFI filter with an IEC inlet socket and 2-pole fuseholder.
Screw mount from front or rear.
Available in both general equipment & low leakage current medical environments.
Sealing power input is rated IP54 for protection against liquids or mist.
from front side IP 65 acc. to IEC 60529.
from rear-side IP 65 acc. to IEC 60529.
Good attenuation performance.
Combine different EMI solution for your application.
Optional insulating PVC cover.
Fully safety approvals



■ Customer Applications

Medical infusion pump.

3D Prototype



[click to rotate](#)

■ Technical data and measuring conditions

Rated Current: 1-10A @ 50°C Rated Voltage: 115/250VAC
Operating Frequency: 50/60Hz Operating temp. : -25°~ +85° C

Hipot Rating (for 1 min.)
Line to Line: 1450 VDC
Line to Ground: 2250 VAC

Leakage Current (each line to ground)
@ 115VAC 60Hz: 2uA~0.3mA
@ 250VAC 50Hz: 5uA~0.6mA

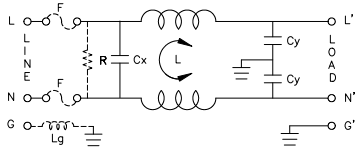
Climatic category: HPF 25/085/21 Case: metal
Safety requirement according to IEC/UL 60529 and IEC/UL 60601-1



New Product Launch

SS3 series Power entry modules with line filter with waterproof appliance inlet of IP54

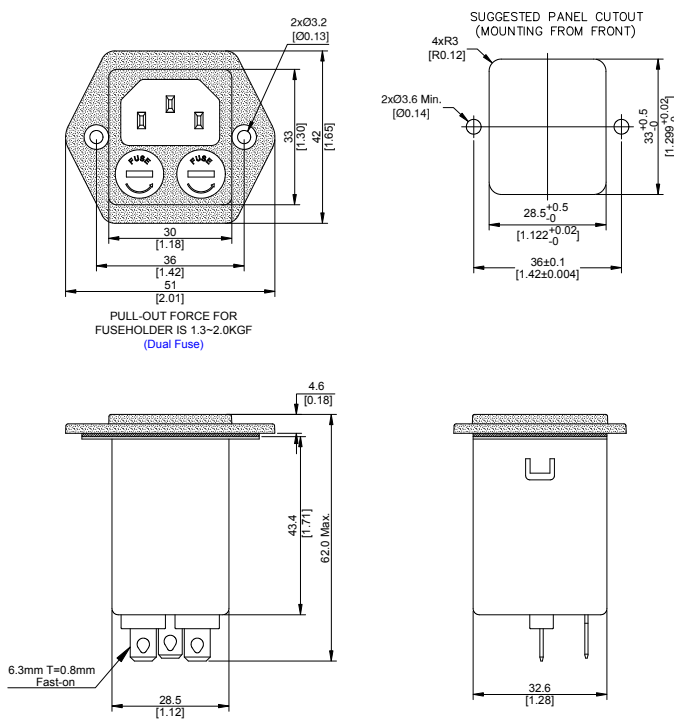
Electrical schematic



Filter ordering table

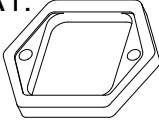
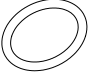
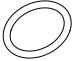



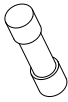
Item	Filter part no.	Rated current (Amps)	Leakage current (mA)		Inductance (mHx2)	Capacitance		Resistance (KΩ)	Fuse holder (Q'ty)
			115VAC	250VAC		Cx(μF)	Cy(pF)		
1	01SS3-1SR-Q	1	0.25	0.45	6.5	0.1	2200	1000	1
2	03SS3-1SR-Q	3	0.25	0.45	2.5	0.1	2200	1000	1
3	06SS3-2SR-Q	6	0.25	0.45	0.8	0.1	2200	1000	2
4	10SS3-2SR-Q	10	0.25	0.45	0.2	0.1	2200	1000	2
5	01SS3-1BR-Q	1	0.3	0.6	3.7	0.1	3300	1000	1
6	03SS3-1BR-Q	3	0.3	0.6	1.8	0.1	3300	1000	1
7	06SS3-2BR-Q	6	0.3	0.6	0.8	0.1	3300	1000	2
8	10SS3-2BR-Q	10	0.3	0.6	0.3	0.1	3300	1000	2
9	01SS3-1HR-Q	1	0.25	0.45	6.5	0.22	2200	1000	1
10	03SS3-1HR-Q	3	0.25	0.45	2.5	0.22	2200	1000	1
11	06SS3-2HR-Q	6	0.25	0.45	0.8	0.22	2200	1000	2
12	10SS3-2HR-Q	10	0.25	0.45	0.3	0.22	2200	1000	2
13	01SS3-1IR-Q	1	0.3	0.6	6.5	0.22	3300	1000	1
14	03SS3-1IR-Q	3	0.3	0.6	2.5	0.22	3300	1000	1
15	06SS3-2IR-Q	6	0.3	0.6	0.8	0.22	3300	1000	2
16	10SS3-2IR-Q	10	0.3	0.6	0.3	0.22	3300	1000	2

Mechanical dimension (Unit: mm / inch)



Installation Instructions For IP65 Power Entry Module Filter

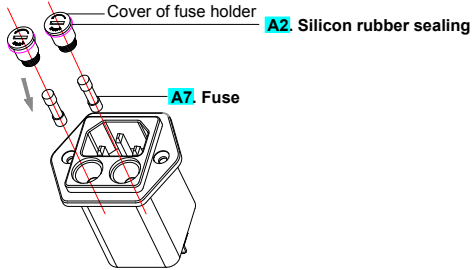
Accessories

Item	Description	Q'ty
A1. 	Silicon rubber sealing	1
A2. 	Silicon rubber sealing (for fuse holder)	4 (2 for spare)
A3. 	Silicon rubber sealing (for screw)	4 (2 for spare)
A4. 	M3 Screw (length at least 12mm)	2
A5. 	M3 Nut	2
A6. 	M3 Washer	2
A7. 	Fuse (5x20mm) (call for alternative)	2

Installation Instructions For IP65 Power Entry Module Filter

Installation steps

Step 1 Silicon Rubber Sealing Installation



*Put A2 on the cover of fuse holder first, then install A7.

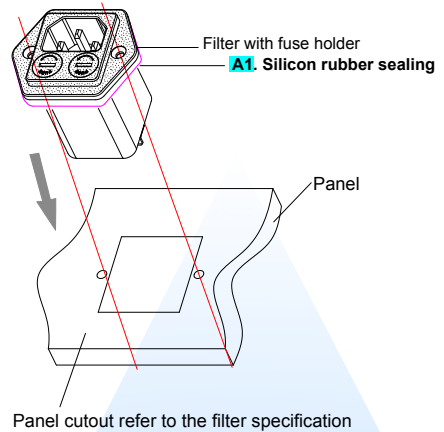
*correct:



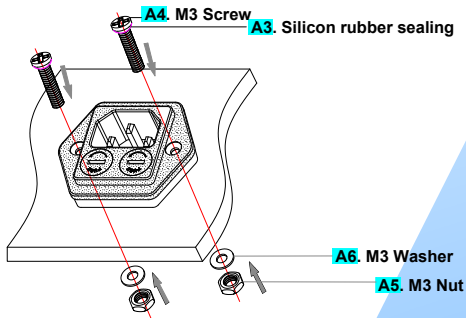
*wrong:



Step 2 Silicon Rubber Sealing Installation



Step 3 Filter Installation



- *1. Put A3 on A4 first, then install the screws.
- *2. Install A6 on the back of panel then install A5.

*correct:



*wrong:



screw is loose



gap

Step 4 Complete Installation

*Filter already assembled well in the package except A5 and A6.