

AC/DC Switching Adapter - Single Output

**Medical AC/DC Power Adapter
AD-A2 Class II Series**

FEATURES

- Medical 60601-1 3rd Edition MOPP and IEC 60601-1-11 approved
- 2-prong IEC320-C8 AC inlet, Class II
- IP22 level Design
- Meet DoE level VI Efficiency requirements
- 3 year warranty

ELECTRICAL SPECIFICATIONS

- Input range : 90 - 264VAC
- Frequency : 47 - 63Hz
- Inrush current : < 50A peak @115VAC; < 100A peak @230VAC cold start @25°C
- Input current (rms) : 2A @90VAC; 1A @264VAC max.
- Efficiency : > 88% @average load, 115/230VAC (Except +5V model)
- Maximum output power (Po) : 40Watts / 60Watts /65Watts
- Hold-up time : > 10ms typical @full load, 115VAC
- Short Circuit Protection: Auto-recovery
- Over Load Protection: Auto-recovery
- Over Voltage Protection: Shutdown and latch off, AC recycle
- Over Temperature Protection: Shutdown and latch off, AC recycle [Optional]

ENVIRONMENTAL

- Operating temperature : 0 to +60°C (Derate linearly 2.5% per °C from 41 to 60°C)
- Storage temperature : -20°C to +85°C
- Humidity: 0% ~ 95%.
- MTBF : > 100,000 hours at full load and 25°C ambient temperature



RoHS Compliant

Dimension : L106 × W60 × H31 mm (4.17" × 2.36" × 1.22")
Weight : 0.24 kgs. (0.55 lbs.)

SAFETY STANDARDS

UL60601-1 3rd Edition
CSA-C22.2 No.60601-1 3rd Edition
EN60601-1 3rd Edition
IEC EN60601-1 3rd Edition
IEC 60601-1-11 1st Edition

EMC STANDARDS

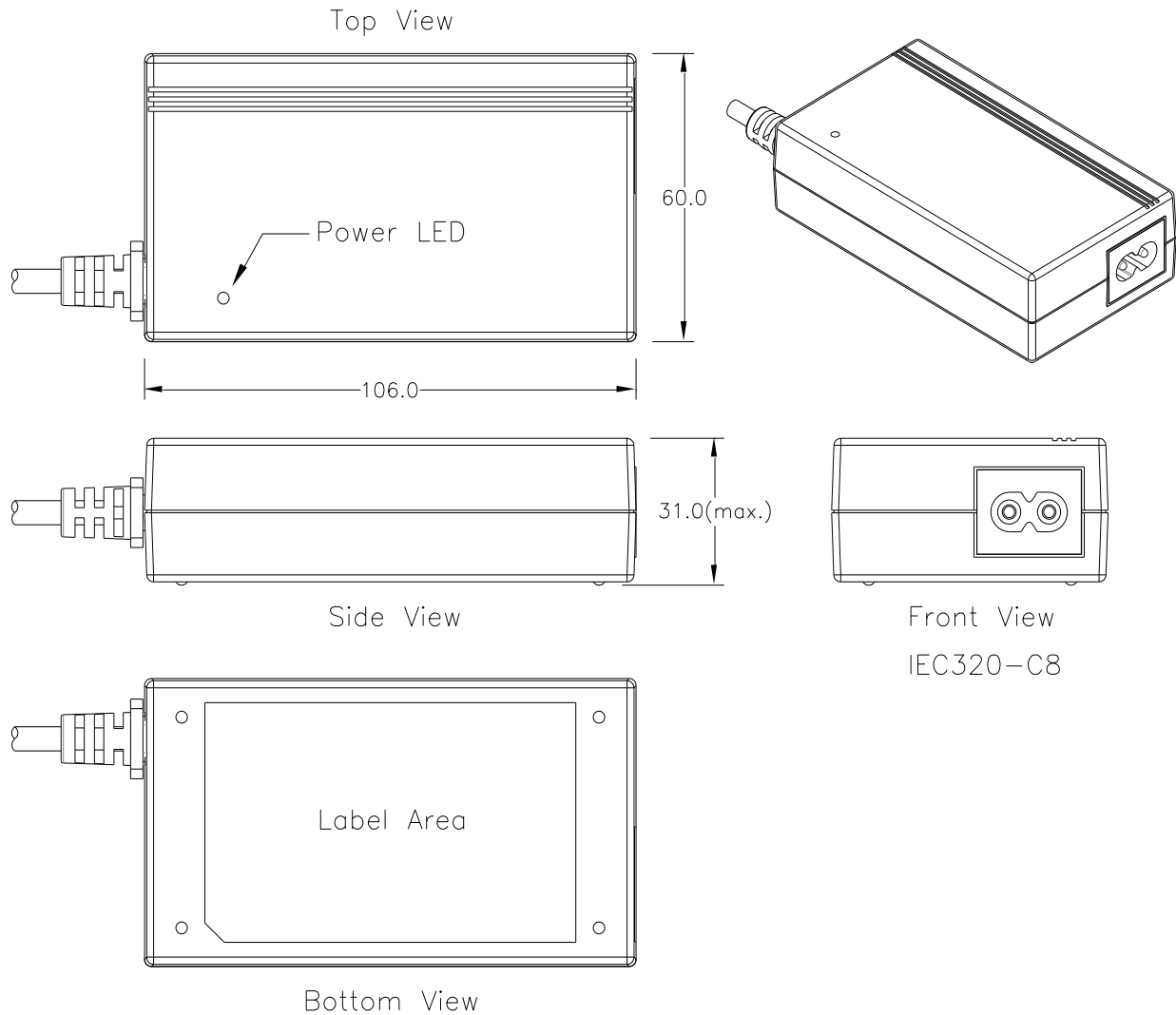
EN60601-1-2
FCC Part 18 Class B
EN55011 Class B
CE

DC OUTPUT & FEATURES

Model	Output Rating		Po	O/P Regulation	Ripple & Noise(Vp-p)	Efficiency Level
PW-M040A-1Y050B	+ 5V	8A	40W	±5%	50mV	V
PW-M060A-1Y120B	+ 12V	5A	60W	±5%	120mV	VI
PW-M060A-1Y150B	+ 15V	4A	60W	±5%	150mV	VI
PW-M065A-1Y190B	+ 19V	3.42A	65W	±3%	190mV	VI
PW-M065A-1Y240B	+ 24V	2.7A	65W	±3%	240mV	VI
PW-M065A-1Y280B	+ 28V	2.32A	65W	±3%	280mV	VI
PW-M065A-1Y480B	+ 48V	1.35A	65W	±3%	480mV	VI

Note: 1. Ripple and noise are measured at oscilloscope 20MHz bandwidth by a 10uF electrolytic capacitor and a 0.1uF ceramic capacitor in parallel at output connector.

MECHANICAL SPECIFICATION



- Note:
1. AC Inlet : IEC320-C8
 2. Plastic Case Color : Black
 3. Tolerance : $\pm 0.5\text{mm}$
 4. Unit : mm

STANDARD OUTPUT CABLE

1. AWM 1185 # 18 AWG / 1C + SHIELDING, UL 80°C 300V VW-1, 1000mm.
2. AWM 2464 # 18 / 20 AWG / 4C + SHIELDING, UL 80°C 300V VW-1, 1000mm.
3. Depends on customers requirements.