

**Open Frame Type Switching Power Supply**

**250Watts Medical  
Single Output**

**FEATURES**

- Medical 60601-1 3<sup>rd</sup> Edition approved
- High Power density, 250W in 3" x 5" footprint
- 2 year warranty

**ELECTRICAL SPECIFICATIONS**

- Input range : 90 - 264VAC
- Frequency : 47 - 63Hz
- Power Factor : > 0.95 @115VAC; > 0.90 @230VAC @full load
- Inrush current : < 50A peak @115VAC; < 100A peak @230VAC cold start @25°C
- Input current (rms) : 4A @115VAC; 2A @230VAC max.
- Efficiency : > 85% typical @full load, 115VAC
- Earth leakage current < 300uA @264VAC
- Maximum output power (Po) : 250 Watts with 17.1CFM forced air cooling
- Hold-up time : > 10ms typical @full load, 115VAC
- Short circuit protection : Auto-recovery
- Over load protection : 105% to 160% maximum rating, Auto-recovery
- Over voltage protection : shutdown and latch off, A manual AC reset is necessary.

**ENVIRONMENTAL**

- Operating temperature : 0 to +70°C (Derate linearly 2.5% per °C from 41 to 70°C)
- Storage temperature: -20°C to +85°C
- Humidity: Non-condensing 0% to 90%
- MTBF : > 100,000 hours @full load and 25°C ambient temperature



**RoHS compliant**

Dimension : L127 x W76.2 x H32.5 mm ( 5" x 3" x 1.28" )  
Weight : 0.4 kgs. ( 0.88 lbs. )

**SAFETY STANDARDS**

UL60601-1 3<sup>rd</sup> Edition  
CSA-C22.2 No.60601-1 3<sup>rd</sup> Edition  
EN60601-1 3<sup>rd</sup> Edition  
IEC EN60601-1 3<sup>rd</sup> Edition

**EMC STANDARDS**

EN60601-1-2  
FCC Part 18 Class B  
EN 55011 Class B  
CE

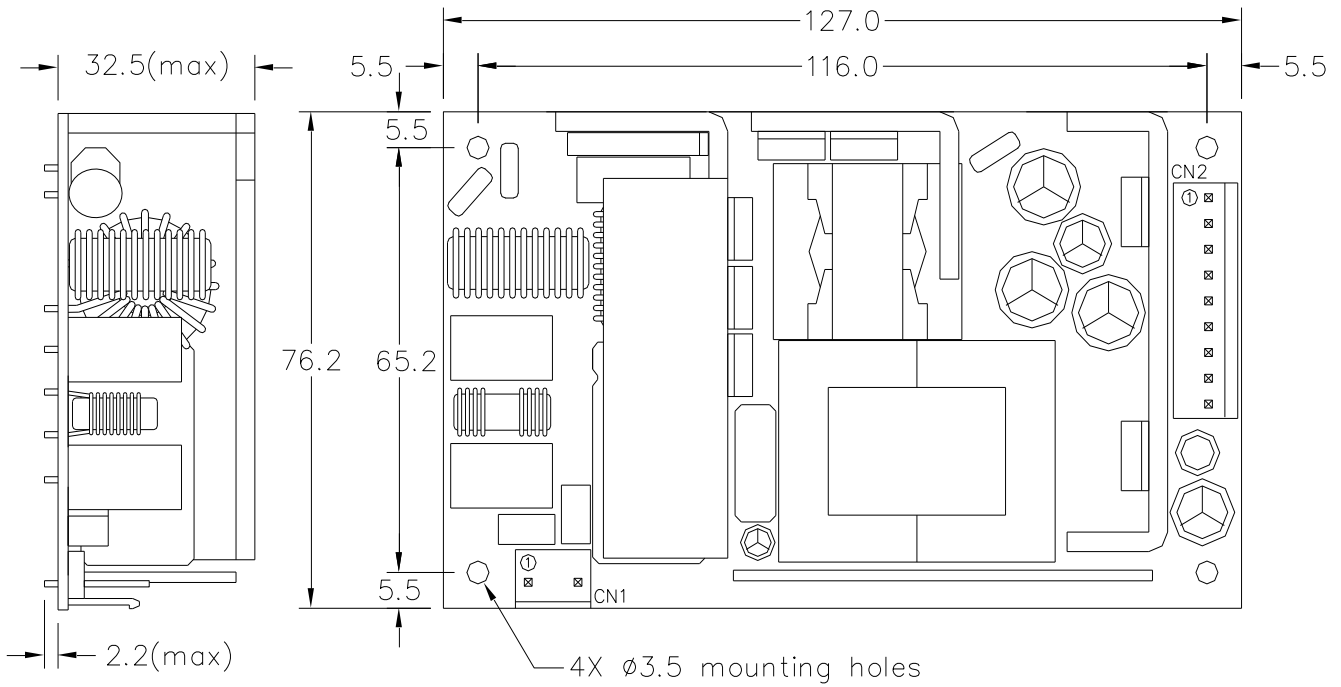
**DC OUTPUT & FEATURES**

Model No.	Output Voltage	Minimum Load	Maximum Load		Po	Output Regulation	Ripple & Noise (Vp-p)
			Convection	17.1 CFM Forced Air			
PW-M250B-1Y120P	+12V	0A	16.67A	20.84A	250W	±5%	120mV
PW-M250B-1Y190P	+19V	0A	10.53A	13.16A	250W	±5%	190mV
PW-M250B-1Y240P	+24V	0A	8.34A	10.42A	250W	±5%	240mV
PW-M250B-1Y280P	+28V	0A	7.14A	8.93A	250W	±5%	280mV
PW-M250B-1Y300P	+30V	0A	6.67A	8.34A	250W	±5%	300mV
PW-M250B-1Y360P	+36V	0A	5.56A	6.95A	250W	±5%	360mV
PW-M250B-1Y400P	+40V	0A	5.00A	6.25A	250W	±5%	400mV
PW-M250B-1Y480P	+48V	0A	4.17A	5.21A	250W	±5%	480mV

**Note:**

1. At 25°C including initial tolerance, line voltage, load currents and output voltages adjusted to factory settings.
2. Ripple and noise are measured at oscilloscope 20MHz bandwidth by a 47uF electrolytic capacitor and a 0.1uF ceramic capacitor in parallel at output connector.

**MECHANICAL SPECIFICATION**



**MATCHING CONNECTORS**

**CN1: Input Connector**

JST B3P-VH-B pitch: 3.96mm or equivalent, mates with JST VHR-3N or equivalent

Pin #	Signal
1	AC Line
2	AC Neutral

**CN2: Output Connector**

JST B9P-VH-B pitch: 3.96mm or equivalent, mates with JST VHR-9N or equivalent

Pin #	Signal
1	RTN
2	RTN
3	RTN
4	RTN
5	+Vo
6	+Vo
7	+Vo
8	+Vo
9	+Vo