

Open Frame Type Switching Power Supply

**Medical 200Watts
Single Output**



FEATURES

- Medical 60601-1 3rd Edition approved
- No load power consumption < 500mW
- Fully meet Efficiency Level V requirements
- Earth leakage current : < 228uA @264VAC
- 2 year warranty

ELECTRICAL SPECIFICATIONS

- Input range : 90 - 264VAC
- Frequency : 47 - 63Hz
- Power Factor : > 0.95 @115VAC; > 0.90 @230VAC @full load
- Inrush current : < 35A peak @115VAC; < 70A peak @230VAC cold start @25°C
- Input current (rms) : 3A @115VAC; 1.5A @230VAC max.
- Efficiency : > 87% typical @full load, 115VAC
- Earth leakage current < 228uA @264VAC
- Maximum output power (Po) : 200 Watts with convection cooling
- Hold-up time : > 16ms typical @full load, 115VAC
- Short circuit protection : Auto-recovery
- Over load protection : 110% to 160% maximum rating, Auto-recovery
- Over voltage protection : Shutdown and Latch off, AC recycle

RoHS compliant

Dimension : L176 × W95 × H50 mm (6.94" × 3.74" × 1.97")
Weight : 0.58 kgs. (1.28 lbs.)

SAFETY STANDARDS

UL60601-1 3rd Edition
CSA-C22.2 No.60601-1 3rd Edition
EN60601-1 3rd Edition
IEC EN60601-1 3rd Edition

EMC STANDARDS

EN60601-1-2
FCC Part 18 Class B
EN 55011 Class B
CE

ENVIRONMENTAL

- Operating temperature : 0 to +60°C (Derate linearly 2.5% per °C from 41 to 60°C)
- Storage temperature: -10°C to +85°C
- Humidity: Non-condensing 10% to 95%
- MTBF : > 140,000 hours @full load and 25°C ambient temperature

DC OUTPUT & FEATURES

Model No.	Output Voltage	Maximum Load Convection	Po	Output Regulation	Ripple & Noise (Vp-p)
PW-M200A3-1Y120EOF	12V	16.66A	200W	±5%	240mV
PW-M200A3-1Y160EOF	16V	12.50A	200W	±5%	300mV
PW-M200A3-1Y190EOF	19V	10.53A	200W	±5%	300mV
PW-M200A3-1Y200EOF	20V	10A	200W	±5%	300mV
PW-M200A3-1Y240EOF	24V	8.33A	200W	±5%	300mV
PW-M200A3-1Y360EOF	36V	5.555A	200W	±5%	300mV
PW-M200A3-1Y480EOF	48V	4.166A	200W	±5%	300mV

Note:

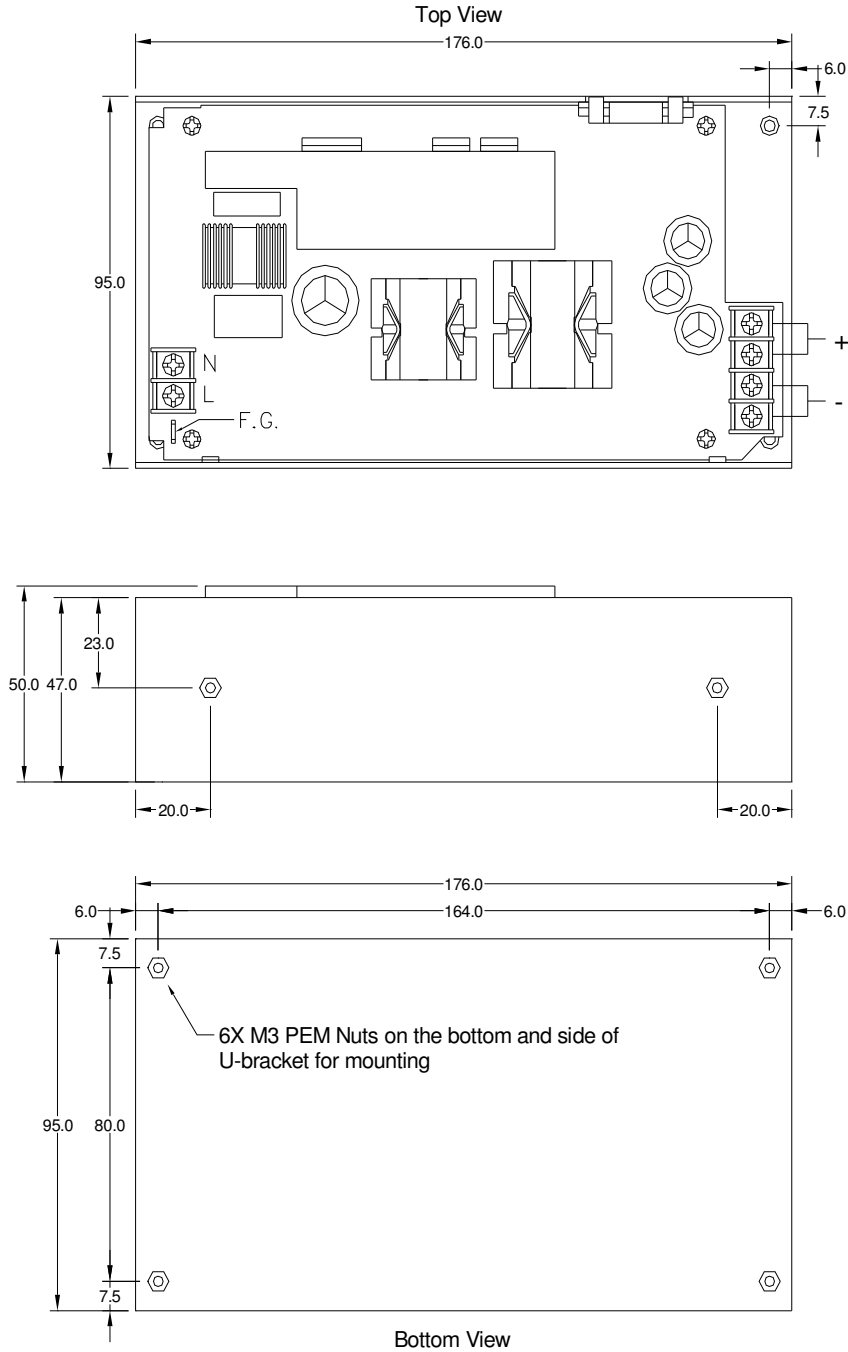
1. At 25°C including initial tolerance, line voltage, load currents and output voltages adjusted to factory settings.
2. Ripple and noise are measured at oscilloscope 20MHz bandwidth by a 10uF electrolytic capacitor and a 0.1uF ceramic capacitor in parallel at output connector.

<代理店>

株式会社 エスエムアイ

052-752-1404

MECHANICAL SPECIFICATION



- Note:
1. Tolerance : $\pm 0.5\text{mm}$
 2. Unit : mm