

**FEATURES**

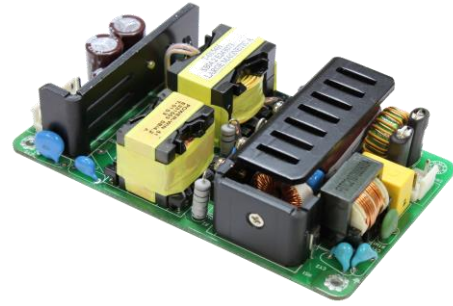
- Medical applications protection means of patient protection (MOPP)
- High Power density, 180W in 3" x 5" footprint
- 2 year warranty

**ELECTRICAL SPECIFICATIONS**

- Input range : 90 - 264VAC
- Frequency : 47 - 63Hz
- Power Factor : > 0.95 @115VAC; > 0.90 @230VAC @full load
- Inrush current : < 50A peak @115VAC; < 100A peak @230VAC cold start @25°C
- Input current (rms) : 3A @115VAC; 1.5A @230VAC max.
- Efficiency : > 87% typical @full load, 115VAC
- Earth leakage current: < 100uA @264VAC
- Maximum output power (Po) : 180 Watts with 15CFM forced air cooling
- Hold-up time : > 20ms typical @full load, 115VAC
- Short circuit protection : Auto-recovery
- Over load protection : 110% to 150% maximum rating, Auto-recovery
- Over voltage protection : Latching type. AC Recycle

**ENVIRONMENTAL**

- Operating temperature :
  - Convection cooling : 0 to +60°C (Derate linearly 2.5% per °C from 41 to 60°C)
  - 15 CFM Forced air : 0 to +60°C (Derate linearly 2.5% per °C from 51 to 60°C)
- Storage temperature: -20°C to +85°C
- Humidity: Non-condensing 0% to 90%
- MTBF : > 100,000 hours @full load and 25°C ambient temperature



**RoHS compliant**

Dimension : L127 x W76.2 x H30.0 mm ( 5" x 3" x 1.18" )  
Weight : 0.35 kgs. ( 0.77 lbs. )

**SAFETY STANDARDS**

UL60601-1 3<sup>rd</sup> Edition  
CSA-C22.2 No.60601-1 3<sup>rd</sup> Edition  
EN60601-1 3<sup>rd</sup> Edition  
IEC EN60601-1 3<sup>rd</sup> Edition

**EMC STANDARDS**

EN60601-1-2  
FCC Part 18 Class B  
EN 55011 Class B  
CE

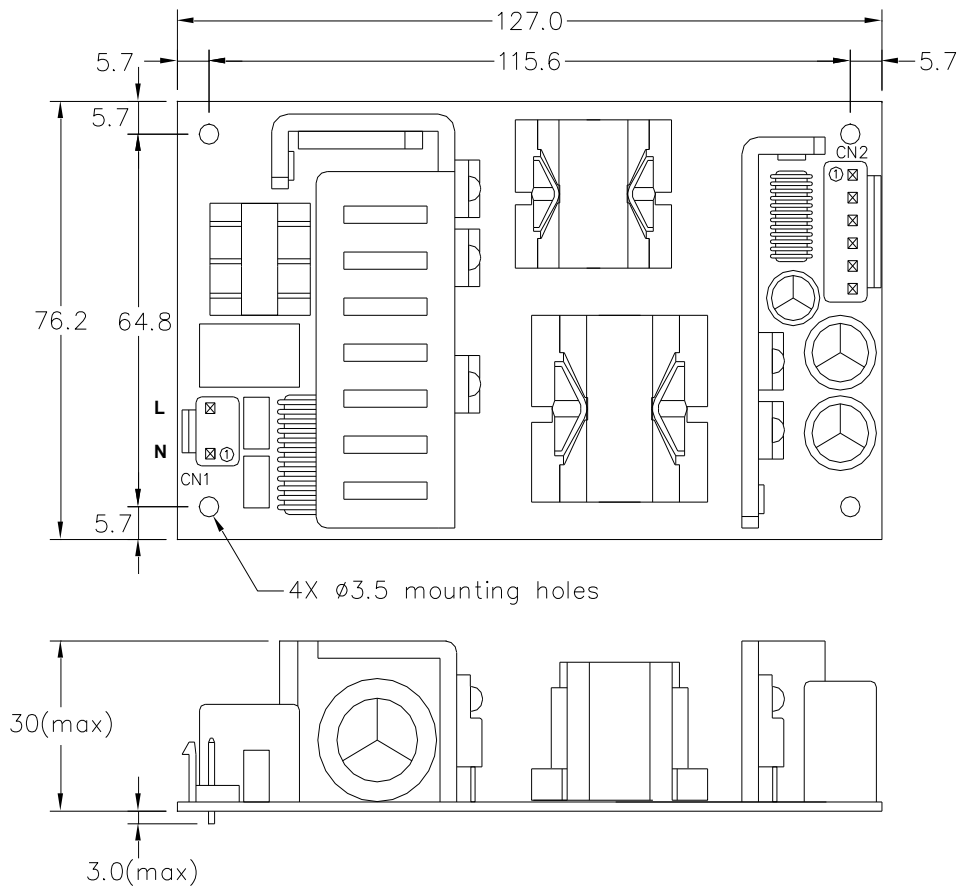
**DC OUTPUT & FEATURES**

Model No.	Output Voltage	Minimum Load	Maximum Load		Po	Output Regulation	Ripple & Noise (Vp-p)	Efficiency Level
			Convection	15 CFM Forced Air				
PW-M180B-1Y120	+12V	0A	10.00A	15.00A	180W	±3%	240mV	V
PW-M180B-1Y150	+15V	0A	8.00A	12.00A	180W	±3%	240mV	V
PW-M180B-1Y190	+19V	0A	6.32A	9.48A	180W	±2%	240mV	V
PW-M180B-1Y240	+24V	0A	5.00A	7.50A	180W	±2%	240mV	V
PW-M180B-1Y280	+28V	0A	4.29A	6.43A	180W	±2%	240mV	V
PW-M180B-1Y480	+48V	0A	2.50A	3.75A	180W	±2%	240mV	V

**Note:**

1. At 25°C including initial tolerance, line voltage, load currents and output voltages adjusted to factory settings.
2. Ripple and noise are measured at oscilloscope 20MHz bandwidth by a 10uF electrolytic capacitor and a 0.1uF ceramic capacitor in parallel at output connector.

**MECHANICAL SPECIFICATION**



**MATCHING CONNECTORS**

**CN1: Input Connector**

JST B3P-VH-B pitch: 3.96mm or equivalent, mates with JST VHR-3N or equivalent

Pin #	Signal
1	AC Neutral
2	AC Line

**CN2: Output Connector**

JST B6P-VH-B pitch: 3.96mm or equivalent, mates with JST VHR-6N or equivalent

Pin #	Signal
1	GND
2	GND
3	GND
4	+Vo
5	+Vo
6	+Vo