

# POWER-WIN TECHNOLOGY CORP.

## Open Frame Type Switching Power Supply

65Watts Medical  
Single Output

### FEATURES

- Medical 60601-1 3<sup>rd</sup> Edition approved
- Compact, High Power density, 65W in 2" x 4" footprint
- Ultra low leakage current < 300uA @264VAC
- 2 year warranty

### ELECTRICAL SPECIFICATIONS

- Input range : 90 - 264VAC
- Frequency : 47 - 63Hz
- Power Factor : > 0.95 @115VAC; > 0.90 @230VAC @full load
- Inrush current : < 40A peak @115VAC; < 80A peak @230VAC cold start @25°C
- Input current (rms) : 2A @115VAC; 1A @230VAC max.
- Efficiency : > 80% typical @full load, 115VAC
- Maximum output power (Po) : 65 Watts convection cooling
- Hold-up time : > 10ms typical @full load, 115VAC
- Short circuit protection : Auto-recovery
- Over load protection : 110% to 180% maximum rating, Auto-recovery
- Over voltage protection : Shutdown and latch off, AC recycle

### ENVIRONMENTAL

- Operating temperature : 0 to +70°C (Derate linearly 2.5% per °C from 51 to 70°C)
- Storage temperature: -40°C to +85°C
- Humidity: Non-condensing 10% to 95%
- MTBF : > 100,000 hours @full load and 25°C ambient temperature



### RoHS compliant

Dimension : L101.6 × W50.8 × H27.5 mm ( 4" × 2" × 1.08" )  
Weight : 0.16 kgs. ( 0.35 lbs. )

### SAFETY STANDARDS

UL60601-1 3<sup>rd</sup> Edition  
CSA-C22.2 No.60601-1 3<sup>rd</sup> Edition  
EN60601-1 3<sup>rd</sup> Edition  
IEC EN60601-1 3<sup>rd</sup> Edition

### EMC STANDARDS

EN60601-1-2  
FCC Part 18 Class B  
EN 55011 Class B  
CE

### DC OUTPUT & FEATURES

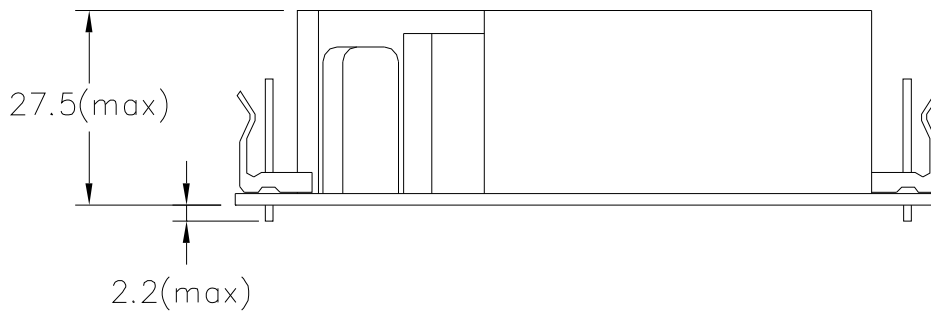
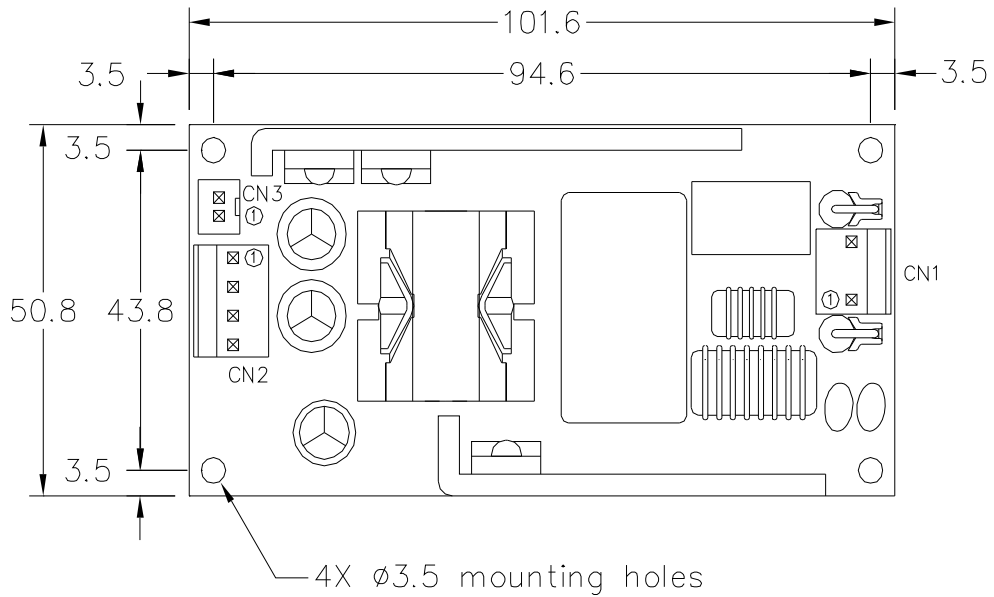
※ Other DC output 40W for 5-7V, 60W for 11-13V and 14-17V, 65W for 18-21V, 22-26V, 33-39V and 44-52V.

Model No.	Output Voltage	Minimum Load	Output Voltage Adjustable Range	Maximum Load Convection	Po	O/P Regulation	Ripple & Noise (Vp-p)
PW-M040B-1Y050	+5V	0A	+5V ~ +7V	8A	40W	±5%	50mV
PW-M060B-1Y120	+12V	0A	+11V ~ +13V	5A	60W	±3%	120mV
PW-M060B-1Y150	+15V	0A	+14V ~ +17V	4A	60W	±3%	150mV
PW-M065B-1Y190	+19V	0A	+18V ~ +21V	3.43A	65W	±3%	190mV
PW-M065B-1Y240	+24V	0A	+22V ~ +26V	2.71A	65W	±3%	240mV
PW-M065B-1Y360	+36V	0A	+33V ~ +39V	1.81A	65W	±2%	360mV
PW-M065B-1Y480	+48V	0A	+44V ~ +52V	1.36A	65W	±2%	480mV

### Note:

1. At 25°C including initial tolerance, line voltage, load currents and output voltages adjusted to factory settings.
2. Ripple and noise are measured at oscilloscope 20MHz bandwidth by a 10uF electrolytic capacitor and a 0.1uF ceramic capacitor in parallel at output connector.

**MECHANICAL SPECIFICATION**



**MATCHING CONNECTORS**

**CN1: Input Connector**

molex 09-65-2029 pitch: 7.92mm or equivalent, mates with female housing molex 09-76-1020 or equivalent

Pin #	Signal
1	AC Neutral
2	AC Line

**CN3: Remote Sense Connector**

JST B2B-XH-A pitch:2.5mm or equivalent, mates with female housing JST XHP-2 or equivalent

Pin #	Signal
1	+Vo Sense -
2	+Vo Sense +

**CN2: Output Connector**

molex 09-65-2048 pitch: 3.96mm or equivalent, mates with female housing molex 09-52-4044 or equivalent

Pin #	Signal
1	+Vo
2	+Vo
3	GND
4	GND