

AC/DC Switching Adapter - Single Output

FEATURES

- ITE & Medical Approvals (Class I & Class II)
- 3-prong IEC320-C14, Class I or 2-prong IEC320-C18, Class II AC inlet
- Medical safety approved (2x MOPP between primary to secondary)
Suitable for BF application with appropriate system consideration.
- Altitude during operation: ITE/Medical up to 5000m.
- IP42 design for without I/O switch models (PW-IM300A-1YXXXMZ)
- < 0.5W No Load Input Power
- Touch current less than 100uA
- Meet IEC60601-1-2 Ed4:2014
- 3 year warranty



ELECTRICAL SPECIFICATIONS

- Input range : 90 - 264VAC
- Frequency : 47 - 63Hz
- Power Factor : > 0.95 @115VAC; > 0.90 @230VAC @full load
- Inrush current : < 35A peak @115VAC; < 70A peak @230VAC cold start @25°C
- Input current (rms) : 3A @115VAC; 1.5A @230VAC max.
- Efficiency : > 88% (Average) 25 %, 50 %, 75 % and 100 % of full load @ 115/230VAC
- Touch current < 100uA @264VAC
- Maximum output power (Po) : 300 Watts convection cooling
- Hold-up time : > 10ms typical @full load, 115VAC
- Short circuit protection : Auto-recovery
- Over load protection : 105% to 150% maximum rating, Auto-recovery
- Over voltage protection : Auto-recovery

RoHS compliant

Dimension : L 222xW 112xH45 mm (8.74"x4.4"x1.77")
Weight : 1.57 kgs. (3.46 lbs.)

ENVIRONMENTAL

- Operating temperature : -30 to +60°C (Refer to "Derating Curve")
- Cooling: Convection-cooling
- Storage temperature: -30°C to +85°C
- Humidity: Non-condensing 0% to 95%
- MTBF : > 200,000 hours @full load and 25°C ambient temperature based on Bellcore TR-332

SAFETY STANDARDS

UL/cUL UL60601-1
TUV EN60601-1
CB IEC 60601-1
UL/cUL UL60950-1
TUV EN60950-1
CB IEC 60950-1
CCC (Class I)
PSE (Class I)

EMC STANDARDS

EN60601-1-2
IEC60601-1-2 Ed4:2014
EN 55011 Class B
EN55032 Class B
EN55024 Class B
FCC Part 15 Class B
FCC Part 18 Class B
CE

DC OUTPUT & FEATURES

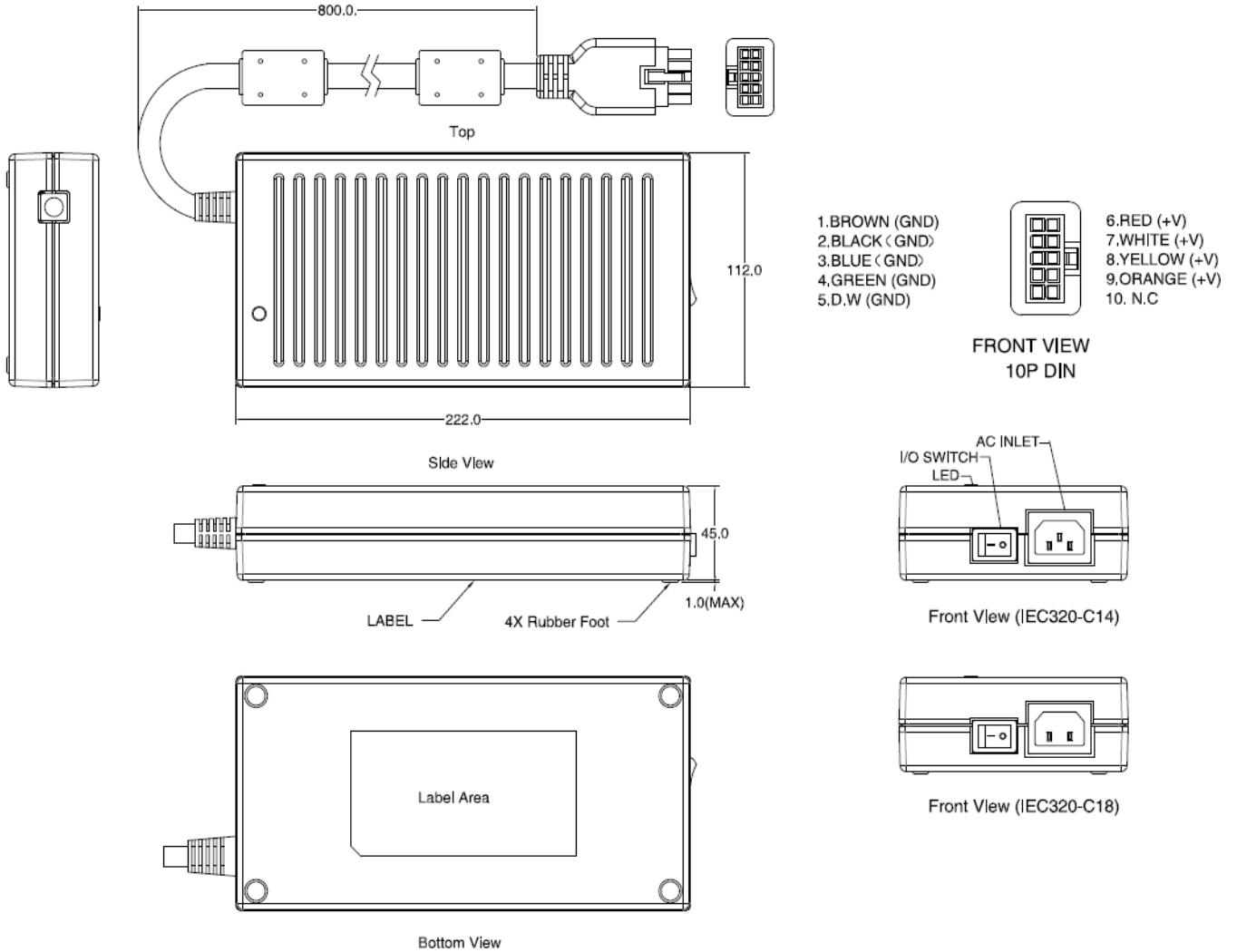
Model No.	Output Rating		Po	Output Regulation	Ripple & Noise (Vp-p)	Efficiency Level
PW-IM300A-1Y120MZ	+12V	25A	300W	±5%	240mV	VI
PW-IM300A-1Y150MZ	+15V	20A	300W	±5%	300mV	VI
PW-IM300A-1Y190MZ	+19V	15.79A	300W	±5%	300mV	VI
PW-IM300A-1Y240MZ	+24V	12.5A	300W	±5%	300mV	VI
PW-IM300A-1Y280MZ	+28V	10.71A	300W	±5%	300mV	VI
PW-IM300A-1Y480MZ	+48V	6.25A	300W	±5%	300mV	VI
PW-IM300A-1Y540MZ	+54V	5.56A	300W	±5%	300mV	VI

Note:

1. Ripple and noise are measured at oscilloscope 20MHz bandwidth by a 47uF electrolytic capacitor and a 0.1uF ceramic capacitor in parallel at output connector.
2. Z=1 : Class I, AC INLET : IEC 320-C14(3PIN), Z=2 : Class II, AC Inlet : IEC 320-C18(2PIN)
3. -30 to -20°C Output regulation is ±10%.

MECHANICAL SPECIFICATION

Model No. : PW-IM300A-1YXXXMZS
With "S" With I/O Switch



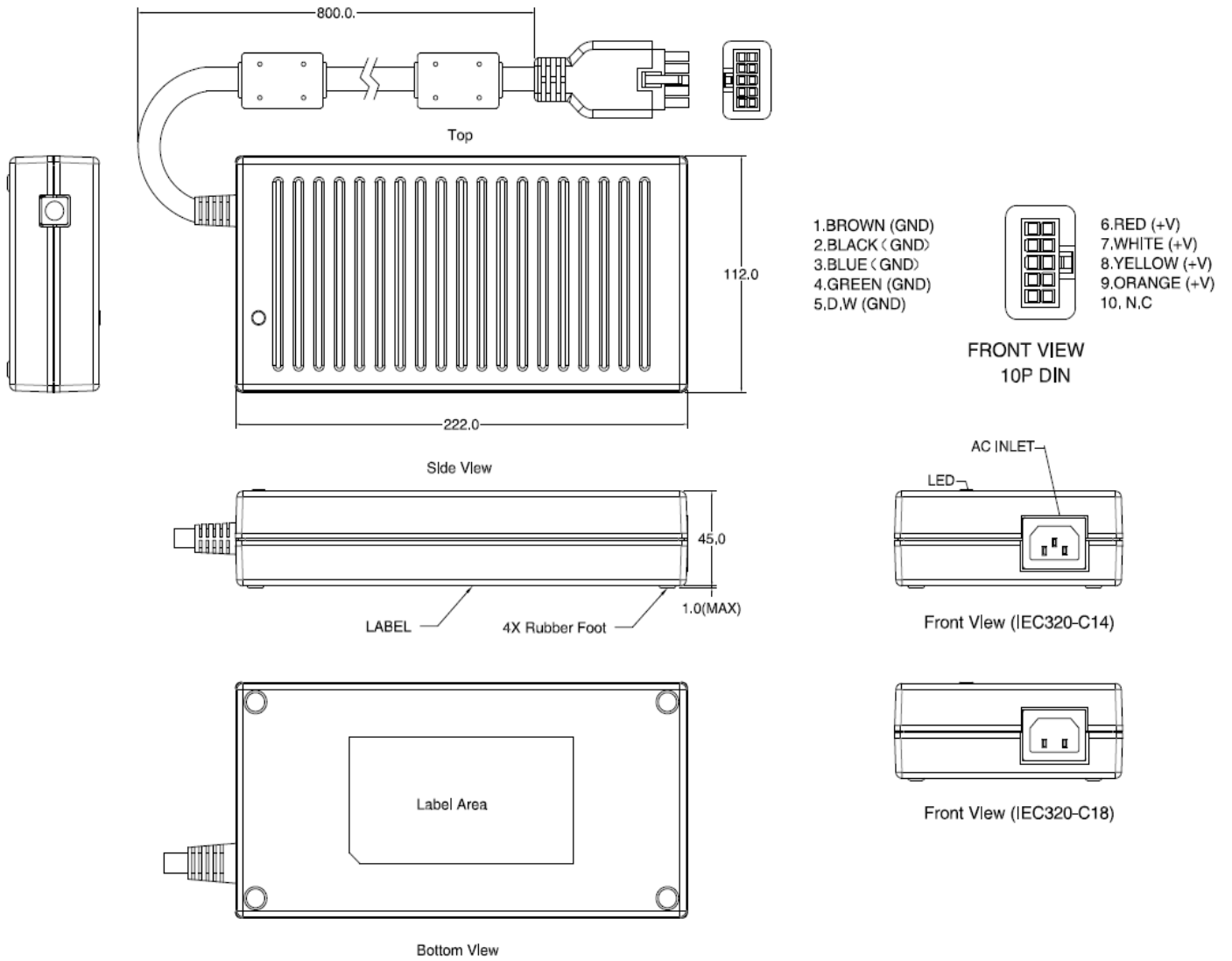
Dimension : L222(8.74") x W112(4.4") x H45(1.77")mm
NOTE : TOLERANCE: +/-1mm(0.04")(LxWxH)

<代理店>

株式会社 エスエムアイ

052-752-1404

Model No. : PW-IM300A-1YXXXMZ
Without "S" Without I/O Switch



Dimension : L222(8.74¹) x W112(4.4¹) x H45(1.77¹)mm
NOTE : TOLERANCE: +/-1mm(0.04¹)(LxWxH)

AC/DC Switching Adapter - Single Output

MATCHING CONNECTORS

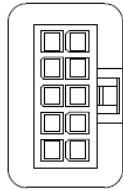
DC Output Connector

Standard male plug(power supply side): 10 PIN Mini Fit Pitch:4.2mm

Mating Connector : Molex P/N: 39-28-1103 or equivalent.

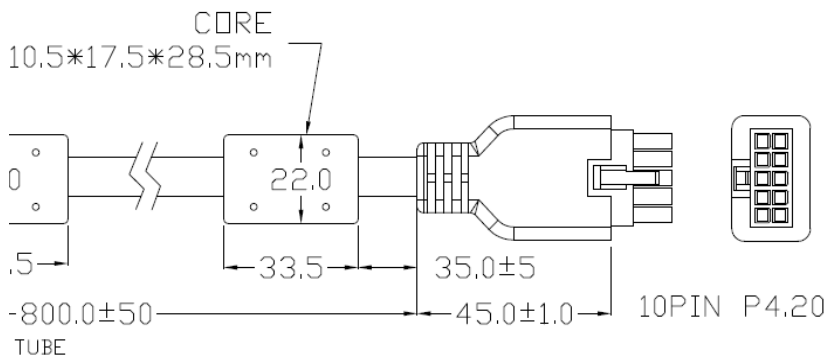
DC output cable: 8C+1, UL2464, 16AWG, VW-1, 80°C, 300V

- 1.BROWN (GND)
- 2.BLACK (GND)
- 3.BLUE (GND)
- 4.GREEN (GND)
- 5.D.W (GND)



- 6.RED (+V)
- 7.WHITE (+V)
- 8.YELLOW (+V)
- 9.ORANGE (+V)
- 10. N.C

FRONT VIEW
10P DIN



Derating Curve

